



**MANUFACTURED TO
WORK AS HARD
AS YOU DO.**

HDD TOOLING PARTS CATALOG



Ditch Witch®



TABLE OF CONTENTS

03	SAVER SUBS
05	DRILL PIPE
08	TRANSITION SUBS & STARTER RODS
10	QUICK CONNECT SYSTEMS
24	DIRT HOUSINGS & BITS
28	TRIHAWK® HD HOUSINGS & BITS
31	ROCKMASTER® AT HOUSINGS & BITS
34	UNIVERSAL HOUSINGS & BITS
36	BACKREAMERS
46	PULLERS, SWIVELS & TABS
51	NOZZLES
51	QUICK WRENCHES & JAWS
52	HYDRA-TONG
53	VACUUM ACCESSORIES

SAVER SUBS

SAVER SUBS

Part Number	Drill Thread	Model(s)
400-828	1.21	JT520
300-7827	1.1	JT5
400-2242	#200 (HIWS1)	JT520, JT5
301-891	1.41	JT920, JT920L, JT921, JT921S
300-2340	1.41	JT922 Fine Thread
400-1589	1.3	JT9, JT10, JT922 Coarse Thread
400-2728	#200 (HIWS1)	JT9, JT10
400-604	1.47	JT1220M1
400-2237	#250	JT1220M1
301-892	1.69	JT1720M1
400-905	1.94	JT20, JT2020M1
400-2304	#400 (HIWS1)	JT20, JT1220M1
400-2235	#600 (HISW1)	JT20, JT2020M1
400-1229	2.11	JT2720M1
400-1223	2.11	JT30, JT3020
400-2232	#600 (HIWS1)	JT3020, JT30
400-1134	2.59	JT4020M1
400-1132	3.27	JT7020, JT8020, JT100
400-2115	3.27	JT100 New Gear Box
400-2241	#800 (HIWS1)	JT7020, JT8020, JT100-Legacy
400-2276	#800 (HIWS1)	JT100 New Gear Box
400-1226	2.77 DS	AT2720
400-1225	2.77 SS	AT2720 Cobble
400-1222	2.77 DS	AT30
400-1221	2.77 SS	AT30 Cobble
400-1133	3.25 SS	AT4020
400-1375	3.44 SS	AT100 New Gear Box
400-2234	#800 (HIWS1)	AT100 New Gear Box
300-5735	3.27	AT100 New Gear Box



SAVERLOK® SYSTEMS

Part Number	Drill Thread	Model(s)
400-1634	1.94-F SaverLok	JT20, JT2020
400-2255	#600 SaverLok	JT20, JT2020
400-2254	#400-F SaverLok	JT20, JT2020
400-3054	1.76-F SaverLok	JT24
400-3067	#600-F SaverLok	JT24
400-3076	#600-M SaverLok	JT24
400-2037	2.11-F SaverLok	JT25, JT30
400-2038	#600-F SaverLok	JT25, JT30
400-2174	#600-M SaverLok	JT25, JT30
400-2156	2.77 DS-F SaverLok	AT30
400-2219	2.77 SS-F SaverLok	AT30
400-2215	2.11-F SaverLok	AT30
400-2233	#600-F SaverLok	AT30
400-3061	2.36-F SaverLok	AT32
400-3060	2.11-F SaverLok	JT32
400-3071	#600-F SaverLok	JT32
400-3074	#600-M SaverLok	JT32
400-2377	2.10-F SaverLok	JT40
400-2598	#700-F SaverLok	JT40
400-2499	#700-M SaverLok	JT40
400-2378	2.95-F SaverLok	AT40
400-2159	2.59-F SaverLok	JT4020M1
400-2150	2.46-F SaverLok	JT60, AT60
400-2253	#900-F SaverLok	JT60, AT60
400-2148	3.25-F SaverLok	JT60, AT60
400-2166	3.27-F SaverLok	JT100, AT100
400-2256	#800-F SaverLok	JT100, AT100
400-2169	3.44 SS-F SaverLok	JT100, AT100

Part Number	Type	Model(s)
301-5719	SaverLok Collar	JT20, JT2020
302-6181	SaverLok Collar	JT24
301-3830	SaverLok Collar	JT25, JT30
301-6062	SaverLok Collar	AT30
302-7569	SaverLok Collar	JT32, AT32
400-2155	SaverLok Collar	JT4020M1
301-7018	SaverLok Collar	JT40
301-5732	SaverLok Flange	JT60, AT60, JT100, AT100



SaverLok



Flange



Collar

DRILL PIPE



POWERPIPE® HD, FLUID MISER® II

Part Number	Pipe Body x Tool Joint x Thread	Drill Pipe Length	Bend Radius	Model(s)
355-1150	1.58" x 2.125" x 1.3	6' / 1.8 m	82' / 25.0 m	JT9, JT922 Coarse Thread, JT10
355-1229	1.58" x 2.00" x 1.41	6' / 1.8 m	82' / 25.0 m	JT922 Fine Thread
355-1151	2.06" x 2.5" x 1.69	10' / 3 m	107' / 32.6 m	JT1720M1
355-1107	2.06" x 2.63" x 1.94	9.8' / 3 m	107' / 32.6 m	JT20, JT2020
355-1313	2.25" x 2.63" x 1.76	10' / 3 m	117' / 35.6 m	JT24
355-1111	2.38" x 2.75" x 2.11	9.8' / 3 m	123' / 37.5 m	JT25, JT2720M1, JT30
355-1211	2.81" x 3.13" x 2.10	15' / 4.57 m	146' / 44.5 m	JT40
355-1100	3.06" x 3.5" x 2.46	15' / 4.57 m	170' / 51.8 m	JT60



POWERPIPE® HD, UNLINED

Part Number	Pipe Body x Tool Joint x Thread	Drill Pipe Length	Bend Radius	Model(s)
355-1038	1.13" x 1.875" x 1.1	4.9' / 1.5 m	70' / 21.3 m	JT5
355-1228	1.58" x 2" x 1.41	6' / 1.8 m	82' / 25.0 m	JT922 Fine Thread
355-1149	1.58" x 2.125" x 1.3	6' / 1.8 m	82' / 25.0 m	JT9, JT922 Coarse Thread, JT10
355-1152	2.06" x 2.5" x 1.69	7' / 3 m	107' / 32.6 m	JT1720
355-1106	2.06" x 2.63" x 1.94	10' / 3 m	107' / 32.3 m	JT20, JT2020
355-1312	2.25" x 2.63" x 1.76	10' / 3 m	117' / 35.6 m	JT24
355-1094	2.38" x 2.75" x 2.11	9.8' / 3 m	123' / 37.5 m	JT25, JT2720M1, JT30
355-1210	2.81" x 3.13" x 2.10	15" / 4.57 m	146' / 44.5m	JT40
355-1079	3.06" x 3.5" x 2.46	15' / 4.57 m	170' / 51.8 m	JT60
355-1200	3.63" x 4" x 3.27	14.75' / 4.5 m	205' / 56.5 m	JT7020M1, JT8020M1, JT100M1



FORGED HD

Part Number	Pipe Body x Tool Joint x Thread	Drill Pipe Thread	Bend Radius	Model(s)
355-1301	1.63" x 2.00" x 1.3	6' / 1.8 m	84' / 25.6 m	JT9, JT922 Coarse Thread, JT10
355-1246	2.10" x 2.50" x 1.94	10' / 3.05 m	109' / 33.2 m	JT20
355-1233	2.38" x 2.63" x 1.76	10' / 3 m	123' / 37.5 m	JT24
355-1244	2.38" x 2.75" x 2.11	9.8' / 3.05 m	123' / 37.5 m	JT25, JT30
355-1303	2.75" x 3.13" x 2.10	15' / 4.57 m	143' / 43.6 m	JT40



FORGED HDX

Part Number	Pipe Body X Tool Joint X Thread	Drill Pipe Length	Bend Radius	Model(s)
355-1349	1.63" x 1.88" x #200	6' / 1.8 m	82' / 25 m	JT9, JT10, D9X13, D10X15
355-1350	2.38" x 2.63" x #600	10' / 3.05 m	123' / 37.5 m	JT20, JT24, JT25, JT30, D24X40, D23X30
355-1352	2.75" x 3.13" x #700	15' / 4.57 m	143' / 43.6 m	JT40
355-1317	2.10" x 2.30" x #400	10' / 3.05 m	109' / 33.2 m	D20X22



POWER PIPE[®], FLUID MISER[®] II*LEGACY

Part Number	Pipe Body X Tool Joint X Thread	Drill Pipe Length	Bend Radius	Model(s)
369-227	1.63" x 2" x 1.41	10' / 3.05 m	100' / 30.5 m	JT920L
369-048	1.58" x 2" x 1.41	6.6' / 2 m	100' / 30.5 m	JT920, JT921
401-239	1.82" x 2.38" x 1.47	10' / 3.05 m	120' / 36.6 m	JT1220
369-235	2.23" x 2.75" x 1.94	9.8' / 3 m	145' / 44.2 m	JT2720
369-221	2.63" x 3.25" x 2.40	14.75' / 4.5 m	150' / 45.7 m	JT4020
369-804	2.81" x 3.5" x 2.59	14.75' / 4.5 m	185' / 56.4 m	JT4020M1



POWER PIPE[®], UNLINED*LEGACY

Part Number	Pipe Body X Tool Joint X Thread	Drill Pipe Length	Bend Radius	Model(s)
355-1066	1.13" x 1.88" x 1.10	4.9' / 1.5 m	70' / 21.3 m	JT520
355-1052	1.13" x 1.75" x 1.21	4.9' / 1.5 m	70' / 21.3 m	JT520
400-842	1.63" x 2" x 1.41	10' / 3.05 m	100' / 30.5 m	JT920L
400-963	1.58" x 2" x 1.41	6.6' / 2 m	100' / 30.5 m	JT920, JT921
355-1005	1.82" x 2.38" x 1.47	10' / 3.05 m	120' / 36.6 m	JT1220
400-844	2.23" x 2.75" x 1.94	9.8' / 3 m	145' / 44.2 m	JT2720
400-846	2.63" x 3.25" x 2.4	14.75' / 4.5 m	150' / 45.7 m	JT4020
400-847	2.81" x 3.5" x 2.59	14.75' / 4.05 m	185' / 56.4 m	JT4020M1

*Compatible with retired drill models.



ALL TERRAIN PIPE

Part Number	Pipe Body X Tool Joint X Thread	Drill Pipe Length	Bend Radius	Model(s)
355-1354	1.94" x 3.25" x 2.77DS / LR	9.3' / 2.84 m	145' / 44.2 m	AT2720, AT30
355-1351	2.23" x 3.25" x 2.77DS	9.3' / 2.84 m	145' / 44.2 m	AT2720, AT30
355-1338	2.94" x 3.25" x 2.77DS / FLUSH	9.3' / 2.84 m	153' / 46.6 m	AT2720, AT30
355-1403	2.50" x 3.0" x 2.36-4	10' / 3.05 m	130' / 39.6 m	AT32
355-1195	3.07" x 3.75" x 2.95DS	15' / 4.6 m	170' / 51.8 m	AT40
355-1258	3.63" x 4.13" x 3.25SS	14.25' / 4.34 m	205' / 62.5 m	AT4020, AT60
355-1254	3.63" x 4.50" x 3.44SS	14.1' / 4.31 m	205' / 62.5 m	AT100

DS = Double Shoulder LR = Lead Rod SS = Single Shoulder

ROD WIPERS



Part Number	Model(s)
116-515	JT5, JT520
149-578	JT920, JT920L, JT921, JT922, JT9, JT10
149-974	JT1220
362-2078	AT30 Flush, AT40
149-973	JT1720, JT20, JT2020, JT2720, JT24, AT2720, JT30, AT30, JT40, HIWS2
362-2694	JT40
117-627	JT4020M1, JT60
157-196	AT4020, AT60, JT7020M1, JT8020M1, JT100M1, AT100

TOOL JOINT COMPOUNDS

Part Number	Container Size	Description
255-1099	1 gal	Standard Tool Joint Compound
255-1097		Bellows Standard Tool Joint Compound
255-1098		Bellows Non-Metal Tool Joint Compound
255-1091	2 gal	Standard Tool Joint Compound
255-1093	2 gal	Summer Tool Joint Compound
255-1095	2 gal	Non-Metallic Tool Joint Compound
255-1094	5 gal	Summer Tool Joint Compound
255-1092	5 gal	Standard Tool Joint Compound
255-1096	5 gal	Non-Metallic Tool Joint Compound
255-1088	14 oz	Standard Tool Joint Compound
255-1090	14 oz	Non-Metallic Tool Joint Compound
255-1086	1 gal	Standard Tool Joint Compound
255-1077	1.5 gal	Standard Tool Joint Compound
255-1079	1.5 gal	Non-Metallic Tool Joint Compound
255-1080	2 gal	Standard Tool Joint Compound
255-1081	2 gal	Summer Tool Joint Compound
255-1082	2 gal	Non-Metallic Tool Joint Compound
255-1084	5 gal	Summer Tool Joint Compound
255-1083	5 gal	Standard Tool Joint Compound
255-1085	5 gal	Non-Metallic Tool Joint Compound

TRANSITION SUBS & STARTER RODS

TRANSITION SUBS



Part Number	Description	Model(s)
400-1260	1.10 M / 1.10 M	JT5
369-213	1.21 M / 1.21 F	JT520
369-326	1.41 M / 1.41 F	JT920, JT920L, JT921, JT922
400-2217	1.41 M / 2.0 M API IF	JT920, JT920L, JT921, JT922
400-1427	1.30 M / 1.41 F	JT922 Coarse Thread, JT9, JT10
400-2216	1.30 M / 2.0 M API IF	JT922 Coarse Thread, JT9, JT10
401-005	1.47 M / 1.94 M	JT1220M1
400-2193	1.47 M / 2.0 M API IF	JT1220M1
368-985	1.69 M / 1.69 F	JT1720M1
400-2747	1.76 M / 2.38 M API R	JT24
400-2202	1.94 M / 2.0 M API IF	JT20, JT2020, JT20XP
400-2192	1.94 M / 2.38 M API R	JT20, JT2020, JT20XP
401-319	1.94 M / 1.94 M	JT20, JT2020, JT20XP
400-231	2.11 M / 2.59 M	JT25, JT2720M1, JT30, JT3020
400-2191	2.11 M / 2.38 M API R	JT25, JT2720M1, JT30, JT3020
400-2466	2.10 M / 2.88 M API R	JT40
400-575	2.59 M / 2.59 M	JT4020M1
400-1419	2.59 M / 2.88 M API R	JT4020M1
400-2268	2.46 M / 3.27 M	JT60
400-2269	2.46 M / 2.88 M API R	JT60
400-1479	3.27 M / 3.5 M API IF	JT7020, JT8020, JT100
369-222	3.27 M / 3.27 M	JT7020, JT8020, JT100

ALL TERRAIN TRANSITION SUBS



Part Number	Description	Model(s)
400-057	2.52 M / 2.59 M	AT2720, AT30
369-410	2.77 M / 2.59 M	AT2720, AT30
400-2305	2.77 M / 2.38 M API R	AT30
400-2784	2.36 M / 2.38 M API R	AT32
400-2788	2.36 M / 2.88 M API R	AT32
400-2709	2.95 M / 2.59 M	AT40
400-2465	2.95 M / 2.88 M API R	AT40
400-2684	2.95 M / 3.50 M API IF	AT40
400-2710	2.95 M / 3.27 M API R	AT40
400-685	3.25 M / 2.59 M	AT4020
400-1679	3.25 M / 2.88 M API R	AT4020, AT60
401-143	3.25 M / 3.27 M	AT4020, AT60
400-1383	3.44 M / 3.27 M	AT100
400-1678	3.44 M / 3.5 M API IF	AT100
400-3077*	2.95 M / 3.25 F	AT40

*Dual rod transition sub

ALL TERRAIN CONNECTORS



Part Number	Description	Model(s)
400-2766	2.77 M / 2.88 M API R	AT30
400-2767	2.77 M / 3.5 M API IF	AT30
400-2789	2.36 M / 2.38 M API R	AT32
400-2790	2.36 M / 2.88 M API R	AT32
400-2768	2.95 M / 2.88 M API R	AT40
400-2769	2.95 M / 3.5 M API IF	AT40
400-2770	3.25 M / 2.88 M API R	AT60
400-2771	3.25 M / 3.5 M API IF	AT60
400-2772	3.44 M / 2.88 M API R	AT100
400-2773	3.44 M / 3.5 M API IF	AT100

HDX/HIWS1/HXT™ TRANSITION SUBS



Part Number	Description	Model(s)
400-2294	#200 M / #200 M	JT520, JT5
400-2293	#200 M / 1.10 M	JT520, JT5
400-2284	#200 M / 2.0 M API IF	JT920, JT921, JT922
400-2285	#200 M / 1.94 M	JT920, JT921, JT922
400-2286	#200 M / 1.41 F	JT920, JT921, JT922
400-2289	#250 M / 2.0 M API IF	JT1220M1
400-2290	#250 M / 1.94 M	JT1220M1
400-2282	#400 M / 1.94 M	JT1220M1, JT20
400-2278	#400 M / 2.0 M API IF	JT1220M1, JT20
400-2279	#400 M / 2.38 M API	JT1220M1, JT20
400-2283	#600 M / 1.94 M	JT20, JT2020
400-2244	#600 M / 2.38 M API R	JT20, JT2020, JT25, JT30, JT3020
400-2245	#600 M / 2.59 M API R	JT20, JT2020, JT25, JT30, JT3020
400-2246	#600 F / 2.59 M API R	JT25
400-2685	#700 M / 2.88 M API R	JT40
400-2271	#900 M / 3.27 M	JT60
400-2272	#900 M / 2.88 M API R	JT60
400-2258	#800 M / 3.27 M	JT7020, JT8020, JT100
400-2257	#800 M / 3.5 M API IF	JT7020, JT8020, JT100
908-0802	#200 F / 2.11 M	D6X6, D7X11, D9X13
908-1702	#250 F / 2.38 M API R	D16X20
908-1705	#400 F / 2.38 M API R	D18X20, D20X22, D24X26
908-4227	#402 F / 2.38 M API R	D24X33
908-4223	#600 F / 2.38 M API R	D24X40
908-4229	#602 F / 2.38 M API R	D33X44, D36X50 (#602)
908-4230	#650 F / 2.38 M API R	D33X44, D36X50 (#650)
908-4241	#700 F / 2.38 M API R	D36X50 (#700)
908-4240	#702 F / 2.38 M API R	D36X50 (#702)
908-5187	#800 F / 2.88 M API R	D50X100, D55X100, D75X100, D80X100
908-5198	#800 F / 3.50 M API R	D80X120, D100X120 (#1000)
908-5194	#802 F / 2.88 M API R	D80X120, D100X120 (#802)
908-5204	#802 F / 3.50 M API R	D80X120, D100X120 (#802)
908-5185	#900 F / 2.88 M API R	D50X100, D80X100
908-5201	#900 F / 3.50 M API R	D50X100, D80X100
908-5206	#1000 F / 3.50 M API R	D80X120, D100X120 (#1000), DD110

QUICK CONNECT SYSTEMS

EZ CONNECT ASSEMBLIES

DITCH WITCH® THREAD

Part Number	Thread	Description	Model(s)
400-1261	1.10 M / 1.31 M EZ2	EZ Connect Assembly	JT5
400-1259		Transition Sub	
149-104		O-Ring	
369-258		Collar	
107-519		Retainer Bolt	
400-1384	1.3 M / 1.63 M EZ2	EZ Connect Assembly	JT9, JT922 Coarse Thread, JT10
400-1178		Transition Sub	
149-911		O-Ring	
400-1860		Collar	
107-540		Retainer Bolt	
401-300	1.94 M / 2.0 M EZ2	EZ Connect Assembly	JT20, JT2020
401-301		Transition Sub	
157-194		O-Ring	
400-1862		Collar	
107-521		Retainer Bolt	
400-2746	1.76 M / 2.0 M EZ2	EZ Connect Assembly	JT24
400-2745		Transition Sub	
157-194		O-Ring	
400-1862		Collar	
107-521		Retainer Bolt	
400-1507	2.77 DS / 2.25 M EZ3	EZ Connect Assembly	AT2720, AT30
400-1506		Transition Sub	
149-548		O-Ring	
400-1864		Collar	
106-847		Retainer Bolt	
316-573		Inner Rod Support Block	
400-1505	2.11 M / 2.25 M EZ3	EZ Connect Assembly	JT25, JT28, JT30
400-1504		Transition Sub	
149-548		O-Ring	
400-1864		Collar	
107-277		Retainer Bolt	
400-3183	2.36 M / 2.25 M EZ3	EZ Connect Assembly	AT32
400-2785		Transition Sub	
149-548		O-Ring	
400-1864		Collar	
107-277		Retainer Bolt	
400-2462	2.10 M / 2.63 EZ2	EZ Connect Assembly	JT40
400-2461		Transition Sub	
149-041		O-Ring	
400-1865		Collar	
107-513		Retainer Bolt	

EZ CONNECT ASSEMBLIES

DITCH WITCH® THREAD

Part Number	Thread	Description	Model(s)
400-2464	2.95 M / 2.85-6 M EZ2	EZ Connect Assembly	AT40
400-2463		Transition Sub	
400-2391		Collar	
155-703		O-Ring	
155-074		Retainer Bolt	
400-2393	2.46-4 M / 2.85-6 M EZ2	EZ Connect Assembly	JT60
400-2389		Transition Sub	
155-703		O-Ring	
400-2391		Collar	
155-074		Retainer Bolt	
400-1674	3.27 M / 3.5 M EZ2	EZ Connect Assembly	JT8020M1, JT100M1
400-1481		Transition Sub	
149-042		O-Ring	
368-815		Collar	
105-593		Retainer Bolt	





EZ CONNECT ASSEMBLIES*LEGACY
DITCH WITCH® THREAD

Part Number	Thread	Description	Model(s)
400-105	1.21 M / 1.31 M EZ2	EZ Connect Assembly	JT520
400-104		Transition Sub	
149-104		O-Ring	
369-258		Collar	
107-519		Retainer Bolt	
400-070	1.41 M / 1.63 M EZ2	EZ Connect Assembly	JT920, JT920L, JT921, JT922 Fine Thread
400-067		Transition Sub	
149-911		O-Ring	
400-1860		Collar	
107-540		Retainer Bolt	
400-918	1.47 M / 1.88 M EZ3	EZ Connect Assembly	JT1220M1
400-917		Transition Sub	
153-856		O-Ring	
400-1861		Collar	
106-847		Retainer Bolt	
400-001	1.69 M / 2.0 M EZ2	EZ Connect Assembly	JT1720M1
369-998		Transition Sub	
157-194		O-Ring	
400-1862		Collar	
107-521		Retainer Bolt	
369-814	2.11 M / 2.25 M EZ2	EZ Connect Assembly	JT2720M1
369-812		Transition Sub	
149-548		O-Ring	
400-1863		Collar	
107-521		Retainer Bolt	
400-095	2.59 M / 2.63 M EZ2	EZ Connect Assembly	JT4020M1
400-096		Transition Sub	
149-041		O-Ring	
400-1865		Collar	
107-513		Retainer Bolt	

EZ CONNECT ASSEMBLIES

HDX/HIWS1/HXT™ THREAD

Part Number	Thread	Description	Model(s)
400-2296	#200 M / 1.31 M EZ2	EZ Connect Assembly	JT5, JT520
400-2295		Transition Sub	
149-104		O-Ring	
369-258		Collar	
107-519		Retainer Bolt	
400-2288	#200 M / 1.63 M EZ2	EZ Connect Assembly	JT9, JT920, JT920L, JT921, JT922, JT10
400-2287		Transition Sub	
149-911		O-Ring	
400-1860		Collar	
107-540		Retainer Bolt	
400-2281	#400 M / 2.0 M EZ2	EZ Connect Assembly	JT1220M, JT20
400-2280		Transition Sub	
400-186		Collar	
107-521		Retainer Bolt	
400-2292	#250 M / 1.88 M EZ3	EZ Connect Assembly	JT1220M1
400-2291		Transition Sub	
153-856		O-Ring	
400-1861		Collar	
106-847		Retainer Bolt	
400-2251	#600 M / 2.25 M EZ3	EZ Connect Assembly	JT20, JT2020, JT24, JT25, JT30, JT3020
400-2247		Transition Sub	
149-548		O-Ring	
400-1864		Collar	
107-277		Retainer Bolt	
400-2252	#600 F / 2.25 M EZ3	EZ Connect Assembly	JT24, JT25
400-2248		Transition Sub	
149-548		O-Ring	
400-1864		Collar	
107-277		Retainer Bolt	
400-2687	#700 M / 2.63 EZ2	Transition Sub	JT40
400-268		Transition Sub	
149-041		O-Ring	
400-1865		Collar	
107-513		Retainer Bolt	
400-2522	#900 M / 2.85-6 M EZ2	EZ Connect Assembly	JT60
400-2523		Transition Sub	
155-703		O-Ring	
400-2391		Collar	
155-074		Retainer Bolt	
400-2260	#800 M / 3.5 M EZ2	EZ Connect Assembly	JT8020M1, JT100M1
400-2259	#800 M / 3.5 M EZ	Transition Sub	
368-815		Collar	
105-593		Retainer Bolt	

HAWKEYE®

DITCH WITCH® THREAD

Part Number	Thread	Description	Model(s)
918-0734	1.41 M / HKEYE 275 F	Hawkeye 275 Starter Rod Short	JT920, JT920L, JT921, JT922 Fine Thread
918-0759	1.41 M / HKEYE 275 F	Hawkeye 275 Starter Rod Long	JT920, JT920L, JT921, JT922 Fine Thread
918-0715		Hawkeye 275 Collar	
918-0722		O-Ring	
918-0736	1.3 M / HKEYE 275 F	Hawkeye 275 Starter Rod Short	JT9, JT922 Coarse Thread
918-0760	1.3 M / HKEYE 275 F	Hawkeye 275 Starter Rod Long	JT9, JT922 Coarse Thread
918-0715		Hawkeye 275 Collar	
918-0722		O-Ring	
918-0738	1.47 M / HKEYE 275 F	Hawkeye 275 Starter Rod Short	JT1220M1
918-0761	1.47 M / HKEYE 275 F	Hawkeye 275 Starter Rod Long	JT1220M1
918-0715		Hawkeye 275 Collar	
918-0722		O-Ring	
918-2454	1.69 M / HKEYE 350 F	Hawkeye 350 Starter Rod Short	JT1720M1
918-2492	1.69 M / HKEYE 350 F	Hawkeye 350 Starter Rod Long	JT1720M1
918-2439		Hawkeye 350 Collar	
918-2423		O-Ring	
918-2498	1.76 M / HKEYE 350 F	Hawkeye 350 Starter Rod	JT24
918-2439		Hawkeye 350 Collar	
918-2423		O-Ring	
918-2453	1.94 M / HKEYE 350 F	Hawkeye 350 Starter Rod Short	JT2020M1
918-2491	1.94 M / HKEYE 350 F	Hawkeye 350 Starter Rod Long	JT2020M1
918-2439		Hawkeye 350 Collar	
918-2423		O-Ring	
918-2455	2.11 M / HKEYE 350 F	Hawkeye 350 Starter Rod Short	JT24, JT25, JT2720M1, JT30, JT3020,
918-2493	2.11 M / HKEYE 350 F	Hawkeye 350 Starter Rod Long	JT24, JT25, JT2720M1, JT30, JT3020
918-2439		Hawkeye 350 Collar	
918-2423		O-Ring	
918-3049	2.11 M / HKEYE 390 F	Hawkeye 390 Starter Rod Short	JT24, JT25, JT2720M1, JT30, JT3020
918-3091	2.11 M / HKEYE 390 F	Hawkeye 390 Starter Rod Long	JT24, JT25, JT2720M1, JT30, JT3020
918-3029		Hawkeye 390 Collar	
918-3019		O-Ring	
918-2471	2.77 DS M / HKEYE 350 F	Hawkeye 350 Starter Rod	AT2720M1, AT30
918-2439		Hawkeye 350 Collar	
918-2423		O-Ring	
918-2470	2.52 SS M / HKEYE 350 F	Hawkeye 350 Starter Rod	AT2720M1, AT30
918-2439		Hawkeye 350 Collar	
918-2423		O-Ring	
908-3058	2.77 DS M / HKEYE 390 F	Hawkeye 390 Starter Rod	AT2720M1, AT30
918-3029		Hawkeye 390 Collar	
918-3019		O-Ring	
918-3057	2.52 SS M / HKEYE 390 F	Hawkeye 390 Starter Rod	AT2720M1, AT30
918-3029		Hawkeye 390 Collar	
918-3019		O-Ring	

HAWKEYE® DITCH WITCH® THREAD

Part Number	Thread	Description	Model(s)
918-2459	2.59 M / HKEYE 350 F	Hawkeye 350 Starter Rod Short	JT4020, JT4020M1
918-2494	2.59 M / HKEYE 350 F	Hawkeye 350 Starter Rod Long	JT4020, JT4020M1
918-2439		Hawkeye 350 Collar	
918-2423		O-Ring	
918-3050	2.59 M / HKEYE 390 F	Hawkeye 390 Starter Rod Short	JT4020, JT4020M1
918-3092	2.59 M / HKEYE 390 F	Hawkeye 390 Starter Rod Long	JT4020, JT4020M1
918-3029		Hawkeye 390 Collar	
918-3019		O-Ring	
918-3648	2.59 M / HKEYE 426 F	Hawkeye 426 Starter Rod	JT4020M1
918-3640		Hawkeye 426 Collar	
918-3619		O-Ring	
918-3074	2.10 M / HKEYE 390 F	Hawkeye 390 Starter Rod	JT40
918-3676	2.10 M / HKEYE 426 F	Hawkeye 426 Starter Rod	JT40

HAWKEYE® HDX/HIWS1/HXT™ THREAD

Part Number	Thread	Description	Model(s)
918-0756	#200 M / HKEYE 275 F	Hawkeye 275 Starter Rod	JT5, JT9, JT922
918-0715		Hawkeye 275 Collar	
918-0722		O-Ring	
918-0713	#200 F / HKEYE 275 F	Hawkeye 275 Starter Rod	D6X6, D7X11, D9X13
918-0715		Hawkeye 275 Collar	
918-0722		O-Ring	
918-0757	#250 M / HKEYE 275 F	Hawkeye 275 Starter Rod	JT1220
918-0715		Hawkeye 275 Collar	
918-0722		O-Ring	
918-2486	#400 M / HKEYE 350 F	Hawkeye 350 Starter Rod	JT20, JT1220
918-2439		Hawkeye 350 Collar	
918-2423		O-Ring	
918-2437	#250 F / HKEYE 350 F	Hawkeye 350 Starter Rod	D16X20
918-2439		Hawkeye 350 Collar	
918-2423		O-Ring	
918-2468	#600 M / HKEYE 350 F	Hawkeye 350 Starter Rod	JT20, JT2020
918-2439		Hawkeye 350 Collar	
918-2423		O-Ring	
918-2489	#600 M / HKEYE 350 F	Hawkeye 350 Starter Rod Long	JT24, JT25, JT30
918-2439		Hawkeye 350 Collar	
918-2423		O-Ring	
918-3067	#600 M / HKEYE 390 F	Hawkeye 390 Starter Rod	JT24, JT25, JT30
918-3029		Hawkeye 390 Collar	
918-3019		O-Ring	
918-3043	#700 / HKEYE 390 F	Hawkeye 390 Starter Rod	JT40
918-3029		Hawkeye 390 Collar	
918-3019		O-Ring	
918-3654	#700 / HKEYE 426 F	Hawkeye 426 Starter Rod	JT40
918-3460		Hawkeye 426 Collar	
918-3619		O-Ring	

HAWKEYE®

HDX/HIWS1/HXT™ THREAD

Part Number	Thread	Description	Model(s)
918-3046	#250 F / HKEYE 390 F	Hawkeye 390 Starter Rod	D16X20
918-3029		Hawkeye 390 Collar	
918-3019		O-Ring	
918-2436	#400 F / HKEYE 350 F	Hawkeye 350 Starter Rod	D18X20, D22X20, D24X26
918-2439		Hawkeye 350 Collar	
918-2423		O-Ring	
918-3047	#400 F / HKEYE 390 F	Hawkeye 390 Starter Rod	D18X20, D22X20, D24X26
918-3029		Hawkeye 390 Collar	
918-3019		O-Ring	
918-2456	#402 F / HKEYE 350 F	Hawkeye 350 Starter Rod	D24X33
918-2439		Hawkeye 350 Collar	
918-2423		O-Ring	
918-3048	#402 F / HKEYE 390 F	Hawkeye 390 Starter Rod	D24X33
918-3029		Hawkeye 390 Collar	
918-3019		O-Ring	
918-2434	#600 F / HKEYE 350 F	Hawkeye 350 Starter Rod	JT24, JT25, D24X40
918-2439		Hawkeye 350 Collar	
918-2423		O-Ring	
918-3017	#600 F / HKEYE 390 F	Hawkeye 390 Starter Rod	JT24, JT25, D24X40
918-3029		Hawkeye 390 Collar	
918-3019		O-Ring	
918-3617	#600 F / HKEYE 426 F	Hawkeye 426 Starter Rod	JT24, JT25, D24X40
918-3640		Hawkeye 426 Collar	
918-3619		O-Ring	
918-2435	#602 F / HKEYE 350 F	Hawkeye 350 Starter Rod	D33X44, D36X50
918-2439		Hawkeye 350 Collar	
918-2423		O-Ring	
918-3018	#602 F / HKEYE 390 F	Hawkeye 390 Starter Rod	D33X44, D36X50
918-3029		Hawkeye 390 Collar	
918-3019		O-Ring	
918-3609	#602 F / HKEYE 426 F	Hawkeye 426 Starter Rod	D33X44, D36X50
918-3640		Hawkeye 426 Collar	
918-3619		O-Ring	
918-2457	#650 F / HKEYE 350 F	Hawkeye 350 Starter Rod	D33X44, D36X50
918-2439		Hawkeye 350 Collar	
918-2423		O-Ring	
918-3015	#650 F / HKEYE 390 F	Hawkeye 390 Starter Rod	D33X44, D36X50
918-3029		Hawkeye 390 Collar	
918-3019		O-Ring	
918-3649	#650 F / HKEYE 426 F	Hawkeye 426 Starter Rod	D33X44, D36X50
918-3640		Hawkeye 426 Collar	
918-3619		O-Ring	
918-2458	#700 F / HKEYE 350 F	Hawkeye 350 Starter Rod	D33X44, D36X50
918-2439		Hawkeye 350 Collar	
918-2423		O-Ring	
918-3016	#700 F / HKEYE 390 F	Hawkeye 390 Starter Rod	D33X44, D36X50
918-3029		Hawkeye 390 Collar	
918-3019		O-Ring	

HAWKEYE® REAMER COLLARS



Part Number	Description	Size
918-2488	Reamer Collar	Hawkeye 350
918-2461	Pull Tab Connector	Hawkeye 350
918-3088	Reamer Collar	Hawkeye 390
918-3054	Pull Tab Connector	Hawkeye 390

HAWKEYE SCREWS



Part Number	Description	Size
918-0618	Socket Head Cap Screw	Hawkeye 275
918-0719	Plug	Hawkeye 275
918-0718	Nozzle	Hawkeye 275
918-0001	Socket Head Cap Screw	Hawkeye 350-426
918-2419	Plug	Hawkeye 350-426
918-2418	Nozzle	Hawkeye 350-426



LPT QUICK CONNECT

Part Number	Thread	Description	Model(s)
400-2249	#600 M / 2.125 LPT F	2.125 LPT Starter Rod	JT25, JT30, JT3020
908-4244		2.125 LPT Collar	
908-0812	#200 F / 1.62 LPT F	1.62 LPT Starter Rod	D6X6, D7X7, D9X13
908-0844		1.62 LPT Collar	
908-0101		1.62 LPT Bolt	
908-4273	#250 F / 2.125 LPT F	2.125 LPT Starter Rod	D16X20
908-4244		2.125 LPT Collar	
908-4272	#400 F / 2.125 LPT F	2.125 LPT Starter Rod	D18X20, D20X22, D24X26
908-4244		2.125 LPT Collar	
908-4275	#402 F / 2.125 LPT F	2.125 LPT Starter Rod	D24X33
908-4244		2.125 LPT Collar	
908-4274	#600 F / 2.125 LPT F	2.125 LPT Starter Rod	JT24, JT25, D24X40
908-4244		2.125 LPT Collar	
908-4277	#602 F / 2.125 LPT F	2.125 LPT Starter Rod	D33X44, D36X50
908-4244		2.125 LPT Collar	
908-4278	#650 F / 2.125 LPT F	2.125 LPT Starter Rod	D33X44, D36X50
908-4244		2.125 LPT Collar	
908-4280	#700 F / 2.125 LPT F	2.125 LPT Starter Rod	D36X50
908-4244		2.125 LPT Collar	
908-0104		2.125 LPT Bolt	
908-4288	2.12 LPT	Reamer Collar	
908-4285	2.12 LPT	Pull Tab Connector	



SPLINELOCK® II

Part Number	Thread	Description	Model(s)
908-4271	1.69 M / SPLK 350 M	SplineLok II 350 Starter Rod Short	JT1720M1
908-4311	1.69 M / SPLK 350 M	SplineLok II 350 Starter Rod Long	JT1720M1
908-4270	1.94 M / SPLK 350 M	SplineLok II 350 Starter Rod Short	JT2020M1
908-4310	1.94 M / SPLK 350 M	SplineLok II 350 Starter Rod Long	JT2020M1
908-4318	1.76 M / SPLK 350 M	SplineLok II 350 Starter Rod Long	JT24
908-4276	2.11 M / SPLK 350 M	SplineLok II 350 Starter Rod Short	JT20, JT2020, JT25, JT2720M1, JT30M1
908-4312	2.11 M / SPLK 350 M	SplineLok II 350 Starter Rod Long	JT20, JT2020, JT25, JT2720M1, JT30M1
908-4281	2.59 M / SPLK 350 M	SplineLok II 350 Starter Rod Short	JT4020M1
908-4313	2.59 M / SPLK 350 M	SplineLok II 350 Starter Rod Long	JT4020M1
908-4376	2.10 M / SPLK 350 M	SplineLok II Starter Rod Long	JT40
908-4315	#700 M / SPLK 350 M	SplineLok II Starter Rod Long	JT40
908-4300	2.72 DS M / SPLK 350 M	SplineLok II 350 Starter Rod Short	AT30
908-4301	2.52 SS M / SPLK 350 M	SplineLok II 350 Starter Rod Short	AT30
908-4174	#250 F / SPLK 350 M	SplineLok II 350 Starter Rod Short	D16X20
908-4182	#400 F / SPLK 350 M	SplineLok II 350 Starter Rod Short	D18X20, D20X22, D24X26
908-4113	#402 F / SPLK 350 M	SplineLok II 350 Starter Rod Short	D24X33
908-4111	#600 F / SPLK 350 M	SplineLok II 350 Starter Rod Short	JT24, JT25, D24X40
908-4112	#602 F / SPLK 350 M	SplineLok II 350 Starter Rod Short	D33X44, D36X50
908-4221	#650 F / SPLK 350 M	SplineLok II 350 Starter Rod Short	D33X44, D36X50
908-4279	#700 F / SPLK 350 M	SplineLok II 350 Starter Rod Short	D36X50, JT40
908-1721	#400 M / SPLK 350 M	SplineLok II 350 Starter Rod Short	JT1220, JT20
908-4243	#600 M / SPLK 350 M	SplineLok II 350 Starter Rod Short	JT20
908-4257	#600 M / SPLK 350 M	SplineLok II 350 Starter Rod Short	JT25, JT30
908-4258	#700 M / SPLK 350 M	SplineLok II 350 Starter Rod Short	D33X44, D36X50, JT40
908-4104		Solid Pins	
908-0036		Coiled Pins	
908-4009		O-Ring	



CONNECTORS

Part Number	Description	Model(s)
369-310	1.21 M / 1.41 F	JT520
369-470	1.21 M / 1.21 M	JT520
908-0804	1.21 M / #200 M	JT520
368-263	1.41 M / 1.94 M	JT9, JT920, JT920L, JT921, JT922, JT10
908-0806	1.41 M / 2.11 M	JT9, JT920, JT920L, JT921, JT922, JT10
908-0805	1.41 M / #200 M	JT9, JT920, JT920L, JT921, JT922, JT10
400-2220	1.41 M / 2.0 M API IF	JT9, JT920, JT922, JT10
400-2222	2.0 F API IF / 1.94 M	JT9, JT920, JT922, JT10
400-2221	2.0 F API IF / 1.41 F	JT9, JT920, JT922, JT10
400-2223	2.0 M API IF / 1.94 F	JT9, JT920, JT922, JT10
368-264	1.69 M / 1.94 M	JT1720M1
906-1783	1.69 F / 2.38 M API R	JT1720M1
908-1707	1.69 M / 2.38 M API R	JT1720M1
906-2562	1.69 M / 2.12 LPT M	JT1720M1
368-261	1.94 M / 1.94 M	JT1720M1, JT20, JT2020
369-139	1.94 M / 2.40 M	JT1720M1, JT20, JT2020
906-2582	1.94 M / 2.38 M API R	JT1720M1, JT20, JT2020
908-0818	1.94 F / 2.11 M	JT1720M1, JT20, JT2020
908-1703	1.94 F / 2.38 M API R	JT1720M1, JT20, JT2020
908-1708	1.94 M / 2.38 M API R	JT1720M1, JT20, JT2020
908-4189	1.94 M / 2.12 LPT F	JT1720M1, JT20, JT2020
908-4103	2.38 API R M / 2.12 LPT M	D16X20, D24X33
400-2570	2.38 API R M / 2.38 API R M	JT1720, JT20, JT2020, JT24, JT25, JT2720, JT30, JT3020, JT40, D16X20, D18X20, D20X22, D24X26, D24X33, D24X40, D33X44, D36X50
400-1825	2.38 API R F / 2.88 API R M	JT1720, JT20, JT2020, JT24, JT25, JT2720, JT30, JT3020, JT40, D16X20, D18X20, D20X22, D24X26, D24X33, D24X40, D33X44, D36X50
400-2739	2.38 API R F / 3.5 API IF M	JT1720, JT20, JT2020, JT24, JT25, JT2720, JT30, JT3020, JT40, D16X20, D18X20, D20X22, D24X26, D24X33, D24X40, D33X44, D36X50
400-2571	2.88 API R M / 2.88 API R M	JT40, JT4020, D24X26, D24X40, D36X50, D50X100, D55X10
400-567	2.59 F / 2.40 M	JT4020
400-1676	2.59 F / 2.88 M API R	JT4020
400-568	2.59 F / 3.50 F API R	JT4020
400-576	2.59 F / 3.27 M	JT4020
908-4226	2.59 F / 2.38 M API R	JT4020
908-4004	2.38 F API R / 2.59 M	JT4020
400-035	3.5 IF M / 3.5 IF M	JT40, JT4020, D24X26, D24X40, D36X50, D50X100, D55X10, DD110



CONNECTORS

Part Number	Description	Model(s)
400-016	2.88 M API IF / 2.88 M API R	AT4020
400-038	2.88 M API R / 2.38 M API IF	AT4020
400-040	2.88 M API R / 3.50 M API R	AT4020
400-016	2.88 API R F / 3.5 API IF M	JT60
400-3049	3.5 F API IF / 2.88 M API R	JT60
400-2308	3.27 F / 2.88 M API R	JT60
400-2307	2.88 F API R / 3.27 M	JT60
400-2230	3.5 F API IF / 3.27 M	JT60, JT7020, JT8020, JT100
401-255	3.27 F / 2.88 M API IF	JT60, AT60, JT7020, JT8020, JT100
401-256	3.27 F / 3.5 M API R	JT60, AT60, JT7020, JT8020, JT100
908-5188	3.27 F / 2.88 M API R	JT7020, JT8020, JT100
908-5196	3.27 F / 3.5 M API R	JT7020, JT8020, JT100
400-1675	3.27 F / 3.5 M API IF	JT7020, JT8020, JT100
400-035	3.5 M API IF / 3.5 M API IF	JT7020, JT8020, JT100
400-036	3.5 M API IF / 3.5 M API R	JT7020, JT8020, JT100
369-472	3.27 F / 3.5 F API R	JT60, AT60, JT7020, JT8020, JT100
369-257	1.31 F EZ2 / 1.21 M	JT5, JT520
369-307	1.31 F EZ2 / 1.94 M	JT5, JT520
369-309	1.31 F EZ2 / 5K Tab	JT5, JT520
369-311	1.31 F EZ2 / 1.41 F	JT5, JT520
400-1431	1.31 F EZ2 / 1.10 M	JT5, JT520
908-0792	1.31 F EZ2 / 1.41 F	JT5, JT520
400-064	1.63 F EZ2 / 1.41 F	JT9, JT920, JT920L, JT921, JT922
400-2672	1.31 F EZ2 / 2.0 M	JT5, JT520
400-068	1.63 F EZ2 / 1.94 M	JT9, JT920, JT920L, JT921, JT922
908-0793	1.63 F EZ2 / 2.11 M	JT9, JT920, JT920L, JT921, JT922
400-2218	1.63 F EZ2 / 2.0 M API IF	JT9, JT920, JT920L, JT921, JT922
400-920	1.88 F EZ3 / 1.94 M	JT1220M1
401-006	1.88 F EZ3 / 1.94 F	JT1220M1
908-0808	1.88 F EZ3 / 2.11 M	JT1220M1
908-0816	1.88 F EZ3 / 2.38 M API R	JT1220M1
400-2188	1.88 F EZ3 / 2.0 M API IF	JT1220M1
369-999	2.0 F EZ / 1.94 M	JT1720M1, JT20, JT2020
400-615	2.0 F EZ2 / 1.94 F	JT1720M1, JT20, JT2020
400-824	2.0 F EZ2 / 2.59 M	JT1720M1, JT20, JT2020
400-2201	2.0 F EZ2 / 2.0 M API IF	JT1720M1, JT20, JT2020
908-1706	2.0 F EZ2 / 2.38 M API R	JT1720M1, JT20, JT2020
400-1050	2.25 F EZ3 / 1.94 M	JT1720M1, JT20, JT2020
400-1010	2.25 F EZ3 / 2.59 M	JT24, JT25, JT30, JT3020
400-309	2.25 F EZ2 / 2.59 M	JT2720M1
401-340	2.25 F EZ2 / 2.4 M	JT2720M1
908-4235	2.25 F EZ2 / 2.38 M API R	JT24, JT25, JT30, JT3020
908-4225	2.25 F EZ3 / 2.38 M API R	JT24, JT25, JT30, JT3020

CONNECTORS

Part Number	Description	Model(s)
400-091	2.63 F EZ2 / 3.27 M	JT40, JT4020
400-1417	2.63 F EZ2 / 2.88 M API R	JT40, JT4020
400-094	2.63 F EZ2 / 2.59 M	JT40, JT4020
400-2392	2.85 6F EZ2 / 2.88 M API R	AT40, JT60
400-2394	2.85 6F EZ2 / 3.50 M API IF	AT40, JT60
400-2395	2.85 6F EZ2 / 3.27 M	AT40, JT60
368-813	3.5 F EZ2 / 3.27 M	JT60, JT7020, JT8020, JT100
400-1480	3.5 F EZ / 3.50 M API IF	JT7020, JT8020, JT100
400-2277	3.5-F EZ / 2.88 M API R	JT60
368-813	3.5-F EZ / 3.27 M	JT60
908-0817	#200 F / 2.11 M	JT5, JT520, JT922, D6X6, D7X11, D9X13
908-0701	#200 M / 2.0 M API IF	JT5, JT520, JT922, D6X6, D7X11, DX913
908-1701	#250 F / 2.38 M API R	JT1220, D16X20
908-1724	#400 M / 2.0 M API IF	JT1220, JT2020, D18X20, D20X22, D24X26
908-1725	#400 M / 2.38 M API R	JT1220, JT2020, D18X20, D20X22, D24X26
908-1726	#400 M / 1.94 M	JT1220, JT2020, D18X20, D20X22, D24X26
908-1704	#400 F / 2.38 M API R	JT1220, JT20, JT2020, D18X20, D20X22, D24X26
908-4228	#402 F / 2.38 M API R	D24X33
908-4196	#600 F / 2.88 M API R	JT20, JT2020, JT24, JT25, JT3020, JT30, D24X40
908-4224	#600 F / 2.38 M API R	JT20, JT2020, JT24, JT25, JT3020, JT30, D24X40
908-1727	#600 M / 1.94 M	JT20, JT2020, JT24, JT25, JT3020, JT30, D24X40
908-4002	#600 M / 2.38 M API R	JT20, JT2020, JT24, JT25, JT3020, JT30, D24X40
908-4003	#600 M / 2.59 M	JT20, JT2020, JT24, JT25, JT3020, JT30, D24X40
908-4197	#602 F / 2.88 M API R	D33X34, D36X50
908-4233	#602 F / 2.38 M API R	D33X34, D36X50
908-4234	#650 F / 2.38 M API R	D33X34, D36X50
908-4242	#700 F / 2.38 M API R	D36X50
908-5199	#800 F / 3.50 M API R	JT7020, JT8020, JT100, D80X100
908-5210	#800 F / 3.50 M API IF	JT7020, JT8020, JT100, D80X100
908-5002	#800 M / 2.88 M API R	JT7020, JT8020, JT100, D80X100
908-5186	#800 F / 2.88 M API R	JT100
908-5004	#800 M / 3.5 M API IF	JT7020, JT8020, JT100, D80X100
908-5005	#800 M / 3.27 M	JT7020, JT8020, JT100, D80X100
908-5205	#802 F / 3.50 M API R	D80X120, D100X120, DD110
908-5211	#802 F / 3.50 M API IF	D80X120, D100X120, DD110
908-5195	#802 F / 2.88 M API R	D80X120, D100X120, DD110
908-5184	#900 F / 2.88 M API R	D50X100, D80X100
908-5200	#900 F / 3.50 M API R	JT60, D50X100, D80X100
908-5214	#900 F / 3.50 M API IF	JT60, D50X100, D80X100
908-5190	#1000 F / 2.88 M API R	D80X120, D100X120, DD110
908-5207	#1000 F / 3.50 M API R	D80X120, D100X120, DD110
908-5213	#1000 F / 3.50 M API IF	D80X120, D100X120, DD110

CONNECTORS

Part Number	Description	Model(s)
918-0749	Hawkeye® 275 M / 1.41 F	JT9, JT920, JT920L, JT921, JT922, JT10, JT1220, D6X6, D7X11, D9X13
918-0747	Hawkeye 275 M / 1.94 M	JT9, JT920, JT920L, JT921, JT922, JT10, JT1220, D6X6, D7X11, D9X13
918-0751	Hawkeye 275 M / 2.0 M API IF	JT9, JT920, JT920L, JT921, JT922, JT10, JT1220, D6X6, D7X11, D9X13
918-0745	Hawkeye 275 M / 2.11 M	JT9, JT920, JT920L, JT921, JT922, JT10, JT1220, D6X6, D7X11, D9X13
918-0707	Hawkeye 275 M / 2.38 M API R	JT9, JT920, JT920L, JT921, JT922, JT10, JT1220, D6X6, D7X11, D9X13
918-0731	Hawkeye 275 M / SplineLok® II 350 M	JT9, JT920, JT920L, JT921, JT922, JT10, JT1220, D6X6, D7X11, D9X13
918-0729	Hawkeye 275 M / 1.62 LPT F	JT9, JT920, JT920L, JT921, JT922, JT10, JT1220, D6X6, D7X11, D9X13
918-0730	Hawkeye 275 M / 2.125 LPT F	JT9, JT920, JT920L, JT921, JT922, JT10, JT1220, D6X6, D7X11, D9X13
918-2451	Hawkeye 350 M / 1.94 M	JT1720, JT20, JT2020, D16X20, D18X20, D20X22
918-2407	Hawkeye 350 M / 2.38 M API R	JT1720, JT20, JT2020, JT24, JT25, JT2720, JT30, JT3020, D16X20, D18X20, D20X22, D24X26, D24X33, D24X40, D33X44, D36X50
918-2452	Hawkeye 350 M / 2.59 M	JT24, JT25, JT2720, JT30, JT3020, D24X26, D24X33, D24X40, D33X44, D36X50
918-2481	Hawkeye 350 M / 2.88 M API R	JT24, JT25, JT2720, JT30, JT3020, D24X26, D24X33, D24X40, D33X44, D36X50
918-2483	Hawkeye 350 M / 2.0 M API IF	JT1220, JT20, JT2020, JT24
918-2429	Hawkeye 350 M / SplineLok II 350 M	JT1720, JT20, JT2020, JT24, JT25, JT2720, JT30, JT3020, D16X20, D18X20, D20X22, D24X26, D24X33, D24X40, D33X44, D36X50
918-2479	Hawkeye 350 M / #800 M	JT7020, JT8020, JT100, D80X100
918-2426	Hawkeye 350 M / 2.125 LPT F	D16X20, D18X20, D20X22, D24X26, D24X33, D24X40, D33X44, D36X50
918-2428	Hawkeye 350 M / 1.625 LPT F	D6X6, D7X11, D9X13
918-3052	Hawkeye 390 M / 1.94 M	JT1720, JT20, JT2020, D16X20, D18X20, D20X22
918-3044	Hawkeye 390 M / 2.59 M	JT24, JT25, JT2720, JT30, JT3020, JT4020, D24X26, D24X33, D24X40, D33X44, D36X50, JT40
918-3024	Hawkeye 390 M / 2.38 M API R	JT1720, JT20, JT2020, JT24, JT25, JT2720, JT3020, JT30, D16X20, D18X20, D20X22, D24X26, D24X33, D24X40, D33X44, D36X50
918-3006	Hawkeye 390 M / 2.88 M API R	JT40, JT4020, D24X26, D24X40, D36X50, D50X100, D55X10
918-3035	Hawkeye 390 M / SplineLok II 350 M	JT1720, JT20, JT2020, JT25, JT2720, JT30, JT3020, JT40, D16X20, D18X20, D20X22, D24X26, D24X33, D24X40, D33X44, D36X50
918-3069	Hawkeye 390 M / #800 M	JT40, JT4020, D24X26, D24X40, D36X50, D50X100, D55X10
918-3071	Hawkeye 390 M / 3.27 M	JT40, JT4020, D24X26, D24X40, D36X50, D50X100, D55X10
918-3033	Hawkeye 390 M / 1.625 LPT F	D6X6, D7X11, D9X13
918-3034	Hawkeye 390 M / 2.12 LPT F	D16X20, D18X20, D20X22, D24X26, D24X33, D24X40, D33X44, D36X50
918-3624	Hawkeye 426 M / 2.38 M API R	JT1720, JT20, JT2020, JT24, JT25, JT2720, JT30, JT3020, D16X20, D18X20, D20X22, D24X26, D24X33, D24X40, D33X44, D36X50
918-3647	Hawkeye 426 M / 2.59 M	JT24, JT25, JT2720, JT30, JT3020, JT40, JT4020, D24X26, D24X33, D24X40, D33X44, D36X50
918-3606	Hawkeye 426 M / 2.88 M API R	JT40, JT4020, D24X26, D24X40, D36X50, D50X100, D55X10
918-3607	Hawkeye 426 M / 3.5 M API R	JT40, JT4020, D24X26, D24X40, D36X50, D50X100, D55X10
918-3629	Hawkeye 426 M / #900 M	JT40, JT4020, D24X26, D24X40, D36X50, D50X100, D55X10
918-3622	Hawkeye 426 M / #800 M	JT40, JT4020, D24X26, D24X40, D36X50, D50X100, D55X10



CONNECTORS

Part Number	Description	Model(s)
918-3634	Hawkeye® 426 M / 2.12 LPT F	D16X20, D18X20, D20X22, D24X26, D24X33, D24X40, D33X44, D36X50
908-4268	SplineLok® II 350 F / 1.94 M	JT1720, JT20, JT2020
908-4124	SplineLok II 350 F / #600 F	JT20, JT2020, JT24, JT25, JT30, JT3020, D24X40
908-4123	SplineLok II 350 F / #600 M	JT20, JT2020, JT24, JT25, JT30, JT3020, D24X40
908-4269	SplineLok II 350 F / 2.59 M	JT40, JT4020
908-4153	SplineLok II 350 M / 2.38 F API R	JT1720, JT20, JT2020, JT24, JT25, JT2720, JT30, JT3020, D16X20, D18X20, D20X22, D24X26, D24X33, D24X40, D33X44, D36X50
908-4137	SplineLok II 350 F / #800 F	JT40, JT4020, D24X26, D24X40, D36X50, D50X100, D55X10
908-4180	SplineLok II 350 F / 3.5 M API R	JT40, JT4020, D24X26, D24X40, D36X50, D50X100, D55X10
908-4188	SplineLok II 350 F / #800 M	JT40, JT4020, D24X26, D24X40, D36X50, D50X100, D55X10
908-4021*	SplineLok II 350 F / 2.12 LPT WELD-OVER	D16X20, D18X20, D20X22, D24X26, D24X33, D24X40, D33X44, D36X50
908-4171	SplineLok II 350 F / #900 M	JT40, JT4020, D24X26, D24X40, D36X50, D50X100, D55X10
908-4149	SplineLok II 350 F / 2.88 M API R	JT40, JT4020, D24X26, D24X40, D36X50, D50X100, D55X10
908-4102	SplineLok II 350 F / 2.38 M API R	JT1720, JT20, JT2020, JT24, JT25, JT2720, JT30, JT3020, D16X20, D18X20, D20X22, D24X26, D24X33, D24X40, D33X44, D36X50
400-740	1.62 LPT M / 1.41 F	D6X6, D7X11, D9X13
400-741	1.62 LPT F / 1.94 M	D6X6, D7X11, D9X13
400-742	2.12 LPT F / 1.94 M	D16X20, D18X20, D24X33
400-743	1.62 LPT M / 1.94 M	D6X6, D7X11, D9X13
908-0825	1.62 LPT M / 2.0 M API IF	D6X6, D7X11, D9X13
918-0728	1.62 LPT F / 2.38 F API R	D6X6, D7X11, D9X13
908-0790	1.62 LPT M / 2.38 M API R	D6X6, D7X11, D9X13
908-0815	1.62 LPT M / 2.11 M	D6X6, D7X11, D9X13
400-140	2.12 LPT / 1.94 LPT M	D16X20, D18X20, D20X22, D24X26, D24X33
908-4007	2.12 LPT M / 2.0 M API IF	D6X6, D7X11, D9X13
918-3632	2.12 LPT F / 2.38 API R F	D24X33, D24X40, D33X44, D36X50
908-1666	2.12 LPT M / 2.38 API R M	D16X20, D18X20, D20X22, D24X26, D24X33
908-4142	2.12 LPT M / 350 SPLK II M	D16X20, D18X20, D20X22, D24X26, D24X33, D24X40, D33X44, D36X50

* Weld-on connector to convert 2.12 LPT to SplineLok II 350 F.

DIRT HOUSINGS & BITS

POWERHOUSE® XD DIRT HOUSINGS

Part Number	Diameter	Bit Pattern / Thread	Electronics	Nozzle(s)	Model(s)
908-0680	2"	3 Hole / 12 mm / DW / 1.10	SBRP / 88B	1	JT5, JT520
400-3139	2.5"	5 Hole / 12 mm / DW / 2.0" IF	15T / 17T	1	JT10
400-3140	2.75"	5 Hole / 12 mm / DW / 2.0" IF	15T / 17T	1	JT1220
400-3141	3"	5 Hole / 12 mm / DW / 2.38" REG	15T / 17T	2	JT20
400-3142	3.25"	6 Hole / 16 mm / DW / 2.38" REG	15T / 17T	2	JT24, JT25, JT30
400-3143	3.75"	6 Hole / 20 mm / DW / 2.88" REG	15T / 17T	2	JT40
400-3144	4.25"	6 Hole / 20 mm / DW / 2.88" REG	15T / 17T	2	JT60
400-3145	4.75"	6 Hole / 20 mm / DW / 3.5" IF	BHL Series	2	JT100, DD110
908-0670	2"	5 Hole / 3/8" / VM / #200	DCI® Mini	1	D6X6, D7X11, D9X13
400-3146	2.55"	6 Hole / 1/2" / VM / 2.0" IF	15T / 17T	1	D6X6, D7X11, D9X13
400-3147	2.75"	6 Hole / 1/2" / VM / 2.0" IF	15T / 17T	1	D6X6, D7X11, D9X13
400-3148	3"	6 Hole / 1/2" / VM / 2.38" REG	15T / 17T	2	D16X20, D18X20, D20X22
400-3149	3.25"	6 Hole / 1/2" / VM / 2.38" REG	15T / 17T	2	D24X26, D24X33, D24X40, D33X44, D36X50
400-3150	4.25"	6 Hole / 5/8" / VM / 2.88" REG	15T / 17T	2	D50X100, D55X100, D75X100, D80X100, D100X120
400-3151	4.25"	6 Hole / 5/8" / VM / 2.88" REG	15T / 17T	2	D50X100, D55X100, D75X100, D80X100, D100X120

HOUSING ACCESSORIES

Diameter	Housing	Lid Pin	Coil Pin	Lid Bolt	Bit Bolt
2	908-0680		911-2450	908-0671	107-277
2.5	908-0880	908-0852	906-2405	908-0833	107-277
2.75	908-1080	908-0852	906-2405	908-0833	107-277
3	908-1680	906-2652	906-2405	906-2633	107-277
3.25	908-4080	906-2652	906-2405	906-2633	106-681
3.75	908-4082	906-2652	906-2405	906-2633	107-284
4.25	908-5280	906-2652	906-2405	906-2633	107-284
4.75	906-5357	906-2652	906-2405	906-2633	107-284
2	908-0670		911-2450	908-0671	105-1743
2.5	908-0870	908-0852	906-2405	908-0833	105-910
2.75	908-1070	908-0852	906-2405	908-0833	105-910
3	908-1670	906-2652	906-2405	906-2633	105-910
3.25	908-4070	906-2652	906-2405	906-2633	105-910
4.25	908-5270	906-2652	906-2405	906-2633	105-1744
4.25	908-5272	906-2652	906-2405	906-2633	105-1745

STEEP TAPER TUFF BIT



Vermeer®
Compatible

MEDIUM SOIL
 HARD SOIL
 COBBLE ROCK
 SOFT ROCK

Part Number	Cut	Bolt Pattern	Bolt Size	Thickness	Bend Angle
400-120	4" / 101.6 mm	5 Hole DW	12 mm	3/4"	10°
400-122	4" / 101.6 mm	6 Hole DW	16 mm	3/4"	10°
400-124	5" / 127 mm	6 Hole DW	16 mm	3/4"	10°
400-1893	5" / 127 mm	6 Hole DW	20 mm	1"	10°
400-431	6" / 152.4 mm	6 Hole DW	20 mm	1"	10°
400-1895	8" / 203.2 mm	6 Hole DW	20 mm	1"	10°
400-1530	4" / 101.6 mm	6 Hole VM	1/2"	3/4"	10°
400-1885	3.5" / 88.9 mm	6 Hole VM	1/2"	5/8"	10°
400-1532	5" / 127 mm	6 Hole VM	1/2"	3/4"	10°
400-1887	5" / 127 mm	6 Hole VM	5/8"	1"	10°
400-1889	6" / 152.4 mm	6 Hole VM	5/8"	1"	10°
400-1891	8" / 203.2 mm	6 Hole VM	3/4"	1"	10°
400-2659	4" / 101.6 mm	6 Hole DW	16 mm	3/4"	10°
400-2657	4" / 101.6 mm	5 Hole DW	12 mm	3/4"	10°
400-2661	5" / 127 mm	6 Hole DW	16 mm	3/4"	10°
400-2665	4" / 101.6 mm	6 Hole VM	1/2"	3/4"	10°
400-2663	3.5" / 88.9 mm	6 Hole VM	1/2"	5/8"	10°
400-2667	5" / 127 mm	6 Hole VM	1/2"	3/4"	10°

OMNI BIT™

SANDY SOIL
 SOFT SOIL
 MEDIUM SOIL
 HARD SOIL
 COBBLE ROCK



Part Number	Description	Width	Bolt Pattern	Bolt Size	Thickness
400-2749	3-3 / 12-50-10 Omni Bit	3" / 76.2 mm	3 Hole DW	12 mm	.5"
400-2751	3.5-5 / 12-75-10 Omni Bit	3.5" / 88.9 mm	5 Hole DW	12 mm	.75"
400-2753	4-5 / 12-75-10 Omni Bit	4" / 101.6 mm	5 Hole DW	12 mm	.75"
400-2755	4.5-5 / 12-75-10 Omni Bit	4.5" / 114.3 mm	5 Hole DW	12 mm	.75"
400-2757	4-6 / 16-75-10 Omni Bit	4" / 101.6 mm	6 Hole DW	16 mm	.75"
400-2759	4.5-6 / 16-75-10 Omni Bit	4.5" / 114.3 mm	6 Hole DW	16 mm	.75"
400-2761	5-6 / 16-75-10 Omni Bit	5" / 127 mm	6 Hole DW	16 mm	.75"
400-2763	6-6 / 20-1-10 Omni Bit	6" / 152.4 mm	6 Hole DW	20 mm	1"
400-2765	7-6 / 20-1-10 Omni Bit	7" / 177.8 mm	6 Hole DW	20 mm	1"
VERMEER®					
400-3092	4-6 / .5-75-10 Omni Bit	4" / 101.6 mm	6 Hole VM	12.7 mm	.75"
400-3123	5-6 / .5-75-10 Omni Bit	5" / 127 mm	6 Hole VM	12.7 mm	.75"
400-3125	5-6 / .625-75-10 Omni Bit	5" / 127 mm	6 Hole VM	12.7 mm	.75"

TORNADO BIT

◐	◐	●	◐	○	○
SANDY SOIL	SOFT SOIL	MEDIUM SOIL	HARD SOIL	COBBLE ROCK	SOFT ROCK



Vermeer®
Compatible

Part Number	Cut	Bolt Pattern	Bolt Size	Thickness	Bend Angle
400-1929	3" / 76.2 mm	5 Hole DW	12 mm	5/8"	10°
400-1925	3.5" / 88.9 mm	5 Hole DW	12 mm	5/8"	10°
400-1927	4" / 101.6 mm	5 Hole DW	12 mm	5/8"	10°
400-1931	4" / 101.6 mm	5 Hole DW	12 mm	3/4"	10°
400-1585	5" / 127 mm	5 Hole DW	12 mm	3/4"	10°
400-1933	4.5" / 114.3 mm	6 Hole DW	16 mm	3/4"	10°
400-1935	5" / 127 mm	6 Hole DW	16 mm	3/4"	10°
400-1063	6" / 125.4 mm	6 Hole DW	16 mm	3/4"	10°
400-1937	6.5" / 165.1 mm	6 Hole DW	16 mm	3/4"	10°
400-1939	5" / 127 mm	6 Hole DW	20 mm	1"	10°
400-1941	6" / 125.4 mm	6 Hole DW	20 mm	1"	10°
400-1901	8" / 203.2 mm	6 Hole DW	20 mm	1"	10°
400-1897	3.5" / 88.9 mm	6 Hole VM	1/2"	5/8"	10°
400-1514	3.5" / 88.9 mm	6 Hole VM	1/2"	3/4"	10°
400-1516	4" / 101.6 mm	6 Hole VM	1/2"	3/4"	10°
400-1518	5" / 127 mm	6 Hole VM	1/2"	1"	10°
400-1520	6" / 125.4 mm	6 Hole VM	1/2"	3/4"	10°
400-1554	5" / 127 mm	6 Hole VM	5/8"	1"	10°
400-1558	6" / 125.4 mm	6 Hole VM	5/8"	1"	10°
400-1899	8" / 203.2 mm	6 Hole VM	3/4"	1"	10°



TUFF BIT

○	◐	●	●	◐	○
SANDY SOIL	SOFT SOIL	MEDIUM SOIL	HARD SOIL	COBBLE ROCK	SOFT ROCK



Part Number	Cut	Bolt Pattern	Bolt Size	Thickness	Bend Angle
400-2963*	3" / 76.2 mm	3 Hole DW	12 mm	1/2"	10°
369-727**	3" / 76.2 mm	3 Hole DW	12 mm	1/2"	0°
369-729	3" / 76.2 mm	5 Hole DW	12 mm	5/8"	10°
401-334	3.5" / 88.9 mm	5 Hole DW	12 mm	5/8"	10°
369-731	4" / 101.6 mm	5 Hole DW	12 mm	5/8"	10°
369-733	5" / 127 mm	5 Hole DW	12 mm	5/8"	10°
400-172***	4.5" / 114.3 mm	6 Hole DW	16 mm	3/4"	10°
369-735	5" / 127 mm	6 Hole DW	16 mm	3/4"	10°
369-737	6.4" / 162.56 mm	6 Hole DW	16 mm	3/4"	10°
369-739	5" / 127 mm	6 Hole DW	20 mm	1"	10°
369-741	6.5" / 165.1 mm	6 Hole DW	20 mm	1"	10°
369-743	8" / 203.2 mm	6 Hole DW	20 mm	1"	10°
400-1871	2.5" / 63.5 mm	5 Hole VM	3/8"	1/2"	0°
400-1877	3.5" / 88.9 mm	6 Hole VM	1/2"	5/8"	10°
400-1522	4" / 101.6 mm	6 Hole VM	1/2"	3/4"	10°
400-1524	5" / 127 mm	6 Hole VM	1/2"	3/4"	10°
400-1881	5" / 127 mm	6 Hole VM	5/8"	1"	10°
400-1528	8" / 203.2 mm	6 Hole VM	5/8"	1"	10°
400-1560	6" / 152.4 mm	6 Hole VM	5/8"	1"	10°
400-1526	6.5" / 165.1 mm	6 Hole VM	1/2"	3/4"	10°
400-1879	8" / 203.2 mm	6 Hole VM	3/4"	1"	10°



TRIHAWK® HD HOUSINGS

TRIHAWK® HD HOUSINGS

Part Number	Diameter	Thread	Spline Size	Electronics	Model(s)
906-0854	2.75"	2.0 API IF	2.125"	15T / 17T	JT9, JT922, JT1220, D6X6, D7X11, D9X13
906-1854	3"	2.38 API R	2.125"	15T / 17T	JT1220, JT1720M1, JT20, JT2020, D6X6, D7X11, D9X13, D16X20, D18X20, D20X22
906-2654	3.5"	2.38 API R	2.5"	15T / 17T	JT25, JT2720M1, JT30, JT3020, JT4020, D24X26, D24X33, D24X40, D33X44, D36X50
906-2754	3.75"	2.88 R	2.5"	15T / 17T	JT40
906-5354	4.25"	2.88 API R	3.375"	15T / 17T	JT4020, JT60, JT7020, JT8020, D33X44, D36X50, D50X100, D55X100, D75X100, D80X100, D80X120
906-5356	4.75"	3.5 API IF	3.375"	906-5356 BHL Only	JT7020M1, JT8020M1, JT100, D50X100, D55X100, D75X100, D80X100, D80X120, DD110



HOUSING ACCESSORIES

Diameter	Housings	Lid	Lid Pin	Coil Pin	Flow Check	O-Ring
2.75	906-0854	908-0835	908-0852	906-2405	906-2638	906-1604
3	906-1854	908-0835	908-0852	906-2405	906-2638	906-1604
3.5	906-2654	906-2635	906-2652	906-2405	906-2638	906-2404
3.75	906-2754	906-2635	906-2652	906-2405	906-2638	906-2404
4.25	906-5354	906-2635	906-2652	908-0019	906-2638	906-5004
4.75	906-5356	906-5335	906-2652	908-0019	906-2638	906-5004

TRIHAWK I



Part Number	Cut	Spline	Replacement Teeth	Drill Size
906-1792	3.75" / 95.25 mm	2.125"	906-1642 short	6K - 12K Drills
906-1626	4.44" / 112.77 mm	2.125"	906-2434 short / 906-2437 long	16K - 20K Drills
906-1627 HD	4.5" / 114.3 mm	2.125		16K - 20K Drills
906-2426	5.12" / 130.04 mm	2.5"	906-2446 med / 906-2494 long	24K - 40K Drills
906-2427 HD	5.12" / 130.04 mm	2.5"	906-2446 med / 906-2494 long	24K - 40K Drills
906-5026	6.12" / 157.48 mm	3.375"	906-5082 med / 906-5090 long	50K - 100K Drills
906-5027 HD	6.12" / 155.44 mm	3.375"		50K - 100K Drills
906-1827	TriHawk I Pullback Tool			5K - 12K Drills
906-2627	TriHawk I Pullback Tool			16K - 40K Drills

TRIHAWK® III



Part Number	Cut	Spline Size	Replacement Teeth	Drill Size
906-1719	4.38" / 111.25 mm	2.125"	906-1713	16K - 20K Drills
906-2519	5.5" / 139.7 mm	2.5"	906-2516	24K - 40K Drills
906-5119	6.6" / 167.64 mm	3.375"	906-5116	50K - 100K Drills
906-1513	10.0" / 254 mm	4.5 F API IF	906-1512	150K - 300K Drills
906-1527	12.5" / 317.5 mm	6.625 F FH	906-1530	500K Drills +
906-1723	TriHawk III Pull Back		Use with	906-1719
906-2523	TriHawk III Pull Back		Use with	906-2519



TRIHAWK IV



Part Number	Cut	Spline Size	Drill Size
906-1730	4.38" / 111.25 mm	2.125"	16K - 20K Drills
906-2530	5.5" / 139.7 mm	2.5"	24K - 40K Drills
906-5130	6.6" / 167.64 mm	3.375"	50K - 100K Drills



TRIHAWK V



Part Number	Cut	Spline Size	Drill Size
906-1771	3.88" / 98.55 mm	2.125"	16K - 20K Drills
906-2571	4.8" / 121.92 mm	2.5"	24K - 40K Drills
906-5171	7" / 177.8 mm	3.375"	50K - 100K Drills
906-1523	9" / 228.6 mm	4.5 F API IF	150K - 300K Drills
906-0825	TriHawk V Pullback		5K - 12K Drills
906-1825	TriHawk V Pullback		16K - 20K Drills
906-2625	TriHawk V Pullback		24K - 40K Drills



TRIHAWK REAMER BIT



Part Number	Cut	Spline Size	Drill Size
906-1812	6" / 152.4 mm	2.125"	16K - 20K Drills
906-2712	6" / 152.4 mm	2.5"	24K - 40K Drills



TRIHAWK® DIRT BIT ADAPTER

Part Number	Housing Diameter	Spline Size	Bolt Pattern	Nozzles
906-1796	3" TriHawk HD	2.125"	5 Hole DW / 12 mm	2
906-2697	3.5" TriHawk HD	2.5"	6 Hole DW / 16 mm	2
906-2698	3.5" TriHawk HD	2.5"	6 Hole DW / 20 mm	2
906-5296	4.25" TriHawk HD	3.375"	6 Hole DW / 20 mm	2
906-1665	3" TriHawk HD	2.125"	6 Hole VM (1/2" Bolt)	2
906-2465	3.5" TriHawk HD	2.5"	6 Hole VM (1/2" Bolt)	2
906-5165	4.25" TriHawk HD	3.375"	6 Hole VM (5/8" Bolt)	2
906-5166	4.25" TriHawk HD	3.375"	6 Hole VM (3/4" Bolt)	2

Vermeer®
Compatible



TRIHAWK® PULLERS

Part Number	Description	Spline Size	Drill Size
906-1593	TriHawk HSG Pull Tab	2.125" F	10K - 20K Drills
906-2493	TriHawk HSG Pull Tab	2.5" F	24K - 40K Drills

ROCKMASTER® AT HOUSINGS & BITS



400-1467



400-2727

ROCKMASTER® AT HOUSINGS

Part Number	Style	Description	Electronics	Model(s)	Bolts For Lid
401-159	3.75" RockMaster 2°	2.77 DS / AT30 / 2.88 API R	88 Series	AT2720, AT30	107-433 6x
401-329	3.75" RockMaster 2°	2.77 DS / AT30 / 2.88 API R	15T / 17T	AT2720, AT30	106-891 6x
400-3162*	4.5" RockMaster 2°	2.77 DS / AT30 / 2.88 API R	15T / 17T	AT2720, AT30	106-891 8x
400-3163*	4.5" SwitchBack™ 2°	2.77 DS / AT30 / 2.88 API R	15T / 17T	AT2720, AT30	106-891 8x
350-1254	4.75" RockMaster 2°	2.77 DS / AT30 / 2.88 API R	15T / 17T	AT2720, AT30	106-891 8x
400-3189	4.75" SwitchBack 2.6°	2.36 DS / AT32 / SwitchBack	15T / 17T / 19T	AT32	106-891 8x
400-3254	4.75" RockMaster 2.6°	2.36 DS / AT32 / 2.88 API R	15T / 17T / 19T	AT32	106-891 8x
400-3255	4.75" RockMaster 2.6°	2.36 DS / AT32 / 3.5 API R	15T / 17T / 19T	AT32	106-891 8x
400-2460*	4.75" RockMaster 2°	2.95 DS / AT40 / 2.88 API R	15T / 17T / 19T	AT40	106-891 8x
400-2630*	4.75" RockMaster 2.5°	2.95 DS / AT40 / 3.5 API R F	15T / 17T / 19T	AT40	106-891 8x
400-3190	4.75" SwitchBack 2.5°	2.95 DS / AT40 / SwitchBack	15T / 17T / 19T	AT40	106-891 8x
400-3256	4.75" RockMaster 2.5°	2.95 DS / AT40 / 2.88 API R	15T / 17T / 19T	AT40	106-891 8x
400-3257	4.75" RockMaster 2.5°	2.95 DS / AT40 / 3.5 API R	15T / 17T / 19T	AT40	106-891 8x
400-919*	5" RockMaster 1.5°	3.25 SS / AT4020 / 3.5 API R	15T / 17T	AT4020, AT60	106-891 8x
400-1467*	5" RockMaster 2°	3.25 SS / AT4020 / 3.5 API R	15T / 17T	AT4020, AT60	106-891 8x
400-3264	5" RockMaster 2°	3.25 SS / AT60 / 3.5 API R	19T	AT60	106-891 8x
400-1488*	5" RockMaster 2°	3.44 SS / AT100 / 3.5 API R	15T / 17T	AT100	106-891 8x
400-3265	5" RockMaster 2°	3.44 SS / AT100 / 3.5 API R	19T	AT100	106-891 8x

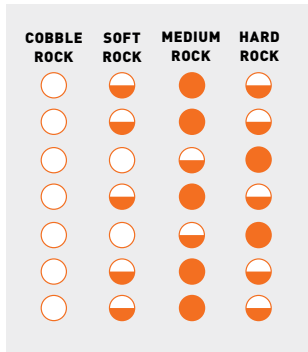
*Air Capable

Note: DCI® isolation kit is 908-4306

ALL TERRAIN SWITCHBACK ACCESSORIES

Part Number	Description	Model(s)
400-3094	SwitchBack Adapter (2-7/8" API-Reg)	AT30
400-3100	10K SwitchBack Swivel Assembly	AT30
400-3169	SwitchBack Adapter (3.5 API R)	AT32, AT40
400-3170	SwitchBack Adapter (2.88 API R)	AT32, AT40
400-3175	5" SwitchBack Swivel (10K)	AT32, AT40

ROCKMASTER® BIT



Part Number	Cut	Thread	Description
400-2317	5.5" / 139.7 mm	2.88 API R	TCI Open Bearing IADC:533
400-2319	5.5" / 139.7 mm	2.88 API R	TCI Sealed Bearing IADC:517
400-2517	5.5" / 139.7 mm	2.88 API R	TCI Sealed Bearing IADC:637
400-2320	6.5" / 165.1 mm	3.5 API R	TCI Sealed Bearing IADC:537
400-2516	6.5" / 165.1 mm	3.5 API R	TCI Sealed Bearing IADC:637
400-2420	4.75" / 120.65 mm	2.88 API R	TCI Sealed Bearing IADC:517
400-2421	4.75" / 120.65 mm	2.88 API R	TCI Open Bearing IADC:533

DITCH WITCH® TRI-CONE BIT



Part Number	Diameter	IADC Code	Nozzle Size	Thread
400-3351	4.75 in	216	106911-S-04	2.875 API R
400-3352	4.75 in	527	106911-S-04	2.875 API R
400-3353	5.50 in	216	106911-S-04	2.875 API R
400-3354	5.50 in	537	106911-S-04	2.875 API R
400-3355	5.50 in	637	106911-S-04	2.875 API R
400-3356	5.63 in	216	106911-S-04	2.875 API R
400-3357	5.63 in	537	106911-S-04	2.875 API R
400-3358	5.63 in	537	106911-S-04	3.5 API R
400-3359	5.63 in	637	106911-S-04	2.875 API R
400-3360	5.63 in	637	106911-S-04	3.5 API R
400-3361	6.00 in	537	106912-S-05	2.875 API R
400-3362	6.00 in	537	106912-S-05	3.5 API R
400-3363	6.00 in	637	106912-S-05	2.875 API R
400-3364	6.00 in	637	106912-S-05	3.5 API R
400-3365	6.50 in	216	106912-S-05	3.5 API R
400-3366	6.50 in	537	106912-S-05	3.5 API R
400-3367	6.50 in	637	106912-S-05	3.5 API R
400-3368	7.88 in	537	106913-S-06	4.5 API R
400-3369	7.88 in	637	106913-S-06	4.5 API R
400-3370	8.50 in	537	106913-S-06	4.5 API R
400-3371	8.50 in	637	106913-S-06	4.5 API R

IADC NUMBER DESIGNATION SYSTEM

First Number Type of Bit	Second Number Formation Hardness	Third Number Bit Features
1 - Steel Tooth, Soft Formation	1 - Soft Formation	1 - Standard Open Bearing
2 - Steel Tooth, Medium Formation	1 - Soft Formation	2 - Standard Open Bearing/Air Cooled
3 - Steel Tooth, Hard Formation	2 - Medium-Soft Formation	3 - Standard Open Bearing/Gage Protected
4 - Tungsten Carbide Insert Bits	2 - Medium-Soft Formation	4 - Sealed Roller Bearing
5 - Tungsten Carbide Insert Bits, Soft Formation	3 - Medium-Hard Formation	5 - Sealed Roller Bearing/Gage Protected
6 - Tungsten Carbide Insert Bits, Medium-Soft Formation	3 - Medium-Hard Formation	6 - Sealed Journal Bearing
6 - Tungsten Carbide Insert Bits, Hard Formation	4 - Hard Formation	7 - Sealed Journal Bearing/Gage Protected
7 - Tungsten Carbide Insert Bits, Medium-Hard Formation	4 - Hard Formation	7 - Sealed Journal Bearing/Gage Protected

NOZZLES

ROCKMASTER® AND TRI-CONE BIT NOZZLES

Part Number	Description	Orifice Size	Retention Type	Compatible Bits
159-1016	Jet Nozzle	.125"	Snap Ring	400-2319, 400-2517, 400-2420
159-1017	Jet Nozzle	.25"	Snap Ring	400-2319, 400-2517, 400-2420
159-1018	Jet Nozzle	.375"	Snap Ring	400-2319, 400-2517, 400-2420
159-1019	Jet Nozzle	.125"	Nail	400-2421, 400-2316
159-1020	Jet Nozzle	.25"	Nail	400-2421, 400-2316
159-1021	Jet Nozzle	.375"	Nail	400-2421, 400-2316
159-1022	Jet Nozzle	.375"	Snap Ring	400-2320, 400-2516, 400-2318
159-1023	Jet Nozzle	.5"	Snap Ring	400-2320, 400-2516, 400-2318
159-1024	Jet Nozzle	.62"	Snap Ring	400-2320, 400-2516, 400-2318
159-1029	Jet Nozzle	.125"	Snap Ring	400-2740
159-1030	Jet Nozzle	.25"	Snap Ring	400-2740
159-1031	Jet Nozzle	.375"	Snap Ring	400-2740
159-1032	Jet Nozzle	.25"	Snap Ring	400-2741
159-1033	Jet Nozzle	.375"	Snap Ring	400-2741
159-1034	Jet Nozzle	.562"	Snap Ring	400-2741



UNIVERSAL HOUSINGS & BITS



UNIVERSAL HD HOUSINGS

Part Number	Diameter	Front Threads	Rear Threads	Model(s)
908-0990	2.5"	2.0 IF	2.0 IF	JT10
908-1690	3.25"	2.38 API R F	2.38 API R F	JT20, JT2020, D16x20, D18x20, D20X22, D24X26, D24X33
908-4290	3.75"	2.38 API R F	2.38 API R F	JT25, JT30, JT3020, AT30, D24X40, D33X44, D36X50
908-4390	4.25"	2.88 API R F	2.88 API R F	JT40, JT60, DD110
908-5290	4.75"	3.5 API IF F	3.5 API IF F	AT40, AT60, JT7020, JT8020, JT100, AT100, D50X100, D55X100, D60X90, D75X100, D80X10, D100X120, DD110
400-1426*	4.75"	3.5 API IF	3.5 API IF	AT40, AT60, JT7020, JT8020, JT100, AT100, D50X100, D55X100, D60X90, D75X100, D80X10, D100X120, DD110
400-1000**	4.75"	3.5 API IF	3.5 API IF	AT40, AT60, JT7020, JT8020, JT100, AT100, D50X100, D55X100, D60X90, D75X100, D80X10, D100X120, DD110
908-6190	6.5"	4.5 API IF M	4.5 API IF F	150K - 330K
908-8090	8"	6.625 API FH M	6.625 API FH F	400K - 1000K

* BHL Electronics Only.

** Not wireline compatible.

Note: These housings will accommodate Subsite® Electronics and DCI® Electronics, including the 19" sonde.

UNIVERSAL HD HOUSING ADAPTERS

Part Number	Front Threads	Spline Size	Bolt Size	Housing	Adapter
906-1810	2.38 API M	2.125"		908-1690	Universal to TriHawk®
906-2585	2.38 API R M	2.5"		908-4290 / 908-1690	Universal to TriHawk
906-2478	2.88 API R M	2.5"		908-4290 / 908-1690	Universal to TriHawk
906-5310	3.5 API IF M	3.375"		908-5290	Universal to TriHawk
906-1720	2.38 API R M		12 mm	908-1690	Bit adapter
906-2637	2.38 API R M		16 mm	908-1690	Bit adapter
906-2636	2.38 API R M		20 mm	908-4290	Bit adapter
906-5312	2.88 API R M		20 mm	908-4390	Bit adapter
906-5298	3.5 API IF M		20 mm	908-5290	Bit adapter
400-3186	2.0 IF		12 mm	908-0990	Bit adapter

UNIVERSAL HD HOUSING ACCESSORIES

Diameter	Housing	Lid	Lid Pin	Coil Pin	Lid Bolt
3.25	908-1690	908-4283	906-2652	906-2405	906-2633
3.75	908-4290	908-4283	906-2652	906-2405	906-2633
4.25	908-4390	908-4283	906-2652	906-2405	906-2633
4.75	908-5290	908-4283	906-2652	908-0019	906-2633
6.5	908-6190	908-4283	906-2652	906-2409	906-2633
8	908-8090	908-4283	906-2652	906-2409	906-2633

BITS SOIL CONDITION CHART

Key ● =Best ◐ =Better ○ =Good

	Sandy Soil	Soft Soil	Medium Soil	Hard Soil	Cobble Rock	Soft Rock	Medium Rock	Hard Rock
Omni Bit	●	●	●	●	○	○		
Tornado Bit	◐	◐	●	◐	○	○		
Tuff Bit	◐	●	●	●	◐	○		
TriHawk® I		○	◐	●	◐	●		
		○	○	◐	◐	●		
TriHawk IV				○	●	◐		
				○	●			
TriHawk Reamer Bit	●	●	●	◐	○			

SOIL TYPE DESCRIPTION CHART

Sandy Soil	Sugar sand, blow sand or other solids where sand is the predominant component
Soft Soil	Sandy loam
Medium Soil	Loams, loamy clays
Hard Soil	Packed clays, gumbo, all compacted soils
Cobble Rock	Chunk rock, glacier till, cobble, gravel, flat river stone
Soft Rock	Sandstone, shale, coral, caliche, chalk
Medium Rock	Limestone, caliche, sandstone, shale
Hard Rock	Granite, schist, marble, hard limestone

BACKREAMERS

BACKREAMERS SOIL CONDITION CHART

Key ● =Best ◐ =Better ○ =Good

	Sandy Soil	Soft Soil	Medium Soil	Hard Soil	Cobble Rock	Soft Rock	Medium Rock	Hard Rock
Compact Fluted HD	○	○	●	◐		○		
Kodiak™ HD			○	◐	●	◐		
Beavertail HD	◐	●	●	●				
Warthog™ HD		○	◐	●		○		
RockMaster®					○	●		●
Sandhog HD	●	◐	○					
Rock Monster™ HD						●	●	◐
Swab				●	◐			
EZ			◐	●	○			

SOIL TYPE DESCRIPTION CHART

Sandy Soil	Sugar sand, blow sand or other solids where sand is the predominant component
Soft Soil	Sandy loam
Medium Soil	Loams, loamy clays
Hard Soil	Packed clays, gumbo, all compacted soils
Cobble Rock	Chunk rock, glacier till, cobble, gravel, flat river stone
Soft Rock	Sandstone, shale, coral, caliche, chaulk
Medium Rock	Limestone, caliche, sandstone, shale
Hard Rock	Granite, schist, marble, hard limestone

FLANGED SWIVEL/STATIC PLATE



190-2615



Part Number	Description
190-2359	12K Swivel Kit (12K Clevis)
190-2360	12K Swivel Kit (12K Tab)
190-2361	20K Swivel Kit (20K Clevis)
190-2362	20K Swivel Kit (20K Tab)
190-2363	30K Swivel Kit (30K Clevis)
190-2364	30K Swivel Kit (30K Tab)
190-2365	40K/60K Swivel Kit (40K Clevis)
190-2366	40K/60K Swivel Kit (40K Tab)
190-2367	100K Swivel Kit (100K Clevis)
190-2368	100K Swivel Kit (100K Tab)
190-2613	12K Static Kit (12K Tab)
400-2368	12K Static Kit (20K Tab)
190-2614	20K Static Kit (20K Tab)
190-2615	30K Static Kit (30K Tab)
190-2616	40K/60K Static Kit (40K Tab)
190-2617	100K Static Kit (100K Tab)

COMPACT FLUTED HD BACKREAMERS



Part Number	Cut	Shaft	Description	NPT/Orifice/Nozzle Qty.	Model(s)
400-2652	4.5" / 114.3 mm	2.0"	1.10-5 F / 12K FLG	1/4" / .188 - 4	5K
400-2543	4.5" / 114.3 mm	2.75"	2.0 API IF F / 12K FLG	1/4" / .188 - 4	9K - 20K
400-2544	6.5" / 165.1 mm	2.75"	2.0 API IF F / 12K FLG	1/4" / .188 - 9	9K - 20K
400-2545	8" / 203.2 mm	2.75"	2.0 API IF F / 20K FLG	1/4" / .188 - 12	9K - 20K
400-2546	10" / 254 mm	2.75"	2.0 API IF F / 20K FLG	1/4" / .188 - 12	9K - 20K
400-2547	12" / 304.8 mm	2.75"	2.0 API IF F / 20K FLG	1/4" / .188 - 15	9K - 20K
400-2683	6.5" / 165.1 mm	3.25"	2.38 API R F / 20K FLG	1/4" / .188 - 6	16K - 36K
400-2396	8" / 203.2 mm	3.25"	2.38 API R F / 20K FLG	1/4" / .188 - 12	16K - 36K
400-2397	10" / 254 mm	3.25"	2.38 API R F / 20K FLG	1/4" / .188 - 12	16K - 36K
400-2398	12" / 304.8 mm	3.25"	2.38 API R F / 30K FLG	1/4" / .188 - 15	16K - 36K
400-2399	14" / 355.6 mm	3.25"	2.38 API R F / 30K FLG	1/4" / .188 - 18	16K - 36K
400-2400	16" / 406.4 mm	3.25"	2.38 API R F / 30K FLG	1/4" / .188 - 18	16K - 36K
400-2401	18" / 457.2 mm	3.25"	2.38 API R F / 30K FLG	1/4" / .188 - 18	16K - 36K
400-2485	8" / 203.2 mm	4.25"	2.88 API R F / 20K FLG	1/4" / .188 - 12	40K - 60K
400-2486	10" / 254 mm	4.25"	2.88 API R F / 20K FLG	1/4" / .188 - 12	40K - 60K
400-2487	12" / 304.8 mm	4.25"	2.88 API R F / 30K FLG	1/4" / .188 - 15	40K - 60K
400-2488	14" / 355.6 mm	4.25"	2.88 API R F / 40K FLG	1/4" / .188 - 18	40K - 60K
400-2489	16" / 406.4 mm	4.25"	2.88 API R F / 40K FLG	1/4" / .188 - 18	40K - 60K
400-2490	18" / 457.2 mm	4.25"	2.88 API R F / 40K FLG	1/4" / .188 - 18	40K - 60K
400-2491	12" / 304.8 mm	4.75"	3.5 API IF F / 30K FLG	1/4" / .188 - 15	70K - 100K
400-2492	14" / 355.6 mm	4.75"	3.5 API IF F / 100K FLG	1/4" / .188 - 19	70K - 100K
400-2493	16" / 406.4 mm	4.75"	3.5 API IF F / 100K FLG	1/4" / .188 - 19	70K - 100K
400-2494	18" / 457.2 mm	4.75"	3.5 API IF F / 100K FLG	1/4" / .188 - 19	70K - 100K
400-2495	20" / 508 mm	4.75"	3.5 API IF F / 100K FLG	1/4" / .188 - 22	70K - 100K
400-2496	22" / 558.8 mm	4.75"	3.5 API IF F / 100K FLG	1/4" / .188 - 22	70K - 100K
400-2497	24" / 609.6 mm	4.75"	3.5 API IF F / 100K FLG	1/4" / .188 - 25	70K - 100K
400-2498	26" / 660.4 mm	4.75"	3.5 API IF F / 100K FLG	1/4" / .188 - 18	70K - 100K

Note: Swivel and static plate sold separately.



KODIAK™ HD



MEDIUM SOIL HARD SOIL COBBLE ROCK SOFT ROCK

Part Number	Cut	Shaft	Description	NPT/Orifice/Nozzle Qty.	Model(s)
400-3296	8"	2.75"	2.0 API IF F / 12K FLG	1/4" / .250 - 12	9K - 20K
400-3297	10"	2.75"	2.0 API IF F / 20K FLG	1/4" / .250 - 15	9K - 20K
400-3298	12"	2.75"	2.0 API IF F / 20K FLG	1/4" / .250 - 18	9K - 20K
400-3290	8"	3.25"	2-3/8 API R F / 12K FLG	1/4" / .188 - 12	16K - 36K
400-3291	10"	3.25"	2-3/8 API R F / 20K FLG	1/4" / .188 - 15	16K - 36K
400-3292	12"	3.25"	2-3/8 API R F / 20K FLG	1/4" / .188 - 18	16K - 36K
400-3293	14"	3.25"	2-3/8 API R F / 30K FLG	1/4" / .188 - 21	16K - 36K
400-3294	16"	3.25"	2-3/8 API R F / 30K FLG	1/4" / .188 - 24	16K - 36K
400-3295	18"	3.25"	2-3/8 API R F / 30K FLG	1/4" / .188 - 27	16K - 36K
400-3279	10"	4.25"	2-7/8 API R F / 30K FLG	1/4" / .188 - 9	40K - 60K
400-3280	12"	4.25"	2-7/8 API R F / 40K FLG	1/4" / .188 - 15	40K - 60K
400-3281	14"	4.25"	2-7/8 API R F / 40K FLG	1/4" / .188 - 19	40K - 60K
400-3282	16"	4.25"	2-7/8 API R F / 40K FLG	1/4" / .188 - 22	40K - 60K
400-3283	18"	4.25"	2-7/8 API R F / 40K FLG	1/4" / .188 - 25	40K - 60K
400-3251	20"	4.25"	2-7/8 API R F / 40K FLG	1/4" / .188 - 22	40K - 60K
400-3284	24"	4.25"	2-7/8 API R F / 40K FLG	1/4" / .188 - 25	40K - 60K
400-3285	28"	4.25"	2-7/8 API R F / 40K FLG	1/4" / .188 - 28	40K - 60K
400-3267	12"	4.75"	3-1/2" IF F / 30K FLG	1/4" / .250 - 12	70K - 100K
400-3268	14"	4.75"	3-1/2" IF F / 40K FLG	1/4" / .250 - 16	70K - 100K
400-3269	16"	4.75"	3-1/2" IF F / 100K FLG	1/4" / .250 - 19	70K - 100K
400-3270	18"	4.75"	3-1/2" IF F / 100K FLG	1/4" / .250 - 22	70K - 100K
400-3271	20"	4.75"	3-1/2" IF F / 100K FLG	1/4" / .250 - 22	70K - 100K
400-3272	24"	4.75"	3-1/2" IF F / 100K FLG	1/4" / .250 - 22	70K - 100K
400-3273	28"	4.75"	3-1/2" IF F / 100K FLG	1/4" / .250 - 25	70K - 100K
400-3274	30"	4.75"	3-1/2" IF F / 100K FLG	1/4" / .250 - 28	70K - 100K
400-3275	34"	4.75"	3-1/2" IF F / 100K FLG	1/4" / .250 - 31	70K - 100K
400-3276	36"	4.75"	3-1/2" IF F / 100K FLG	1/4" / .250 - 31	70K - 100K

Note: Swivel and static options sold separately.



BEAVERTAIL HD BACKREAMER (9-36K)

Part Number	Cut	Shaft	Description	NPT/Orifice/Nozzle Qty.	Model(s)
400-1439*	4.5" / 114.3 mm	2.0"	1.10-5 F / 12K TAB	7/16" / .188	5K
400-2602	6" / 152.4 mm	2.75"	2.0 API IF F / 20K TAB	1/4" / .188 - 13	9K - 20K
400-2603	8" / 203.2 mm	2.75"	2.0 API IF F / 20K TAB	1/4" / .188 - 13	9K - 20K
400-2604	10" / 254 mm	2.75"	2.0 API IF F / 20K TAB	1/4" / .188 - 13	9K - 20K
400-2605	12" / 304.8 mm	2.75"	2.0 API IF F / 20K TAB	1/4" / .188 - 13	9K - 20K
400-2606	14" / 355.6 mm	2.75"	2.0 API IF F / 20K TAB	1/4" / .188 - 13	9K - 20K
400-2607	16" / 406.4 mm	2.75"	2.0 API IF F / 20K TAB	1/4" / .188 - 13	9K - 20K
400-2608	18" / 457.2 mm	2.75"	2.0 API IF F / 20K TAB	1/4" / .188 - 13	9K - 20K
400-2609	20" / 508 mm	2.75"	2.0 API IF F / 20K TAB	1/4" / .188 - 13	9K - 20K
400-2974	6" / 152.4 mm	2.75"	2.38 API R F / 20K TAB	1/4" / .188 - 13	16K - 36K
400-2381	8" / 203.2 mm	3.25"	2.38 API R F / 2.38 API R F	1/4" / .188 - 13	16K - 36K
400-2382	10" / 254 mm	3.25"	2.38 API R F / 2.38 API R F	1/4" / .188 - 13	16K - 36K
400-2383	12" / 304.8 mm	3.25"	2.38 API R F / 2.38 API R F	1/4" / .188 - 13	16K - 36K
400-2384	14" / 355.6 mm	3.25"	2.38 API R F / 2.38 API R F	1/4" / .188 - 13	16K - 36K
400-2385	16" / 406.4 mm	3.25"	2.38 API R F / 2.38 API R F	1/4" / .188 - 13	16K - 36K
400-2386	18" / 457.2 mm	3.25"	2.38 API R F / 2.38 API R F	1/4" / .188 - 13	16K - 36K
400-2387	20" / 508 mm	3.25"	2.38 API R F / 2.38 API R F	1/4" / .188 - 13	16K - 36K
400-2388	24" / 609.6 mm	3.25"	2.38 API R F / 2.38 API R F	1/4" / .188 - 13	16K - 36K



BEAVERTAIL HD BACKREAMER (40-100K)



Part Number	Cut	Shaft	Description	NPT/Orifice/Nozzle Qty.	Model(s)
400-2508	8" / 203.2 mm	4.25"	2.88 API R F / 2.88 API R F	3/8" / .250 - 13	40K - 60K
400-2509	10" / 254 mm	4.25"	2.88 API R F / 2.88 API R F	3/8" / .250 - 13	40K - 60K
400-2510	12" / 304.8 mm	4.25"	2.88 API R F / 2.88 API R F	3/8" / .250 - 13	40K - 60K
400-2511	14" / 355.6 mm	4.25"	2.88 API R F / 2.88 API R F	3/8" / .250 - 13	40K - 60K
400-2512	16" / 406.4 mm	4.25"	2.88 API R F / 2.88 API R F	3/8" / .250 - 13	40K - 60K
400-2513	18" / 457.2 mm	4.25"	2.88 API R F / 2.88 API R F	3/8" / .250 - 13	40K - 60K
400-2514	20" / 508 mm	4.25"	2.88 API R F / 2.88 API R F	3/8" / .250 - 13	40K - 60K
400-2515	24" / 609.6 mm	4.25"	2.88 API R F / 2.88 API R F	3/8" / .250 - 13	40K - 60K
400-2524	12" / 304.8 mm	4.75"	3.5 API I F F / 3.5 API I F F	3/8" / .250 - 13	60K - 100K
400-2525	14" / 355.6 mm	4.75"	3.5 API I F F / 3.5 API I F F	3/8" / .250 - 13	60K - 100K
400-2526	16" / 406.4 mm	4.75"	3.5 API I F F / 3.5 API I F F	3/8" / .250 - 13	60K - 100K
400-2527	18" / 457.2 mm	4.75"	3.5 API I F F / 3.5 API I F F	3/8" / .250 - 13	60K - 100K
400-2528	20" / 508 mm	4.75"	3.5 API I F F / 3.5 API I F F	3/8" / .250 - 13	60K - 100K
400-2529	24" / 609.6 mm	4.75"	3.5 API I F F / 3.5 API I F F	3/8" / .250 - 13	60K - 100K
400-2530	28" / 711.2 mm	4.75"	3.5 API I F F / 3.5 API I F F	3/8" / .250 - 13	60K - 100K
400-2531	30" / 762 mm	4.75"	3.5 API I F F / 3.5 API I F F	3/8" / .250 - 13	60K - 100K
400-2532	34" / 863.6 mm	4.75"	3.5 API I F F / 3.5 API I F F	3/8" / .250 - 13	60K - 100K
400-2533	36" / 914.4 mm	4.75"	3.5 API I F F / 3.5 API I F F	3/8" / .250 - 13	60K - 100K
400-2534	38" / 965.2 mm	4.75"	3.5 API I F F / 3.5 API I F F	3/8" / .250 - 13	60K - 100K
400-2535	40" / 1016 mm	4.75"	3.5 API I F F / 3.5 API I F F	3/8" / .250 - 13	60K - 100K
400-2536	42" / 1067 mm	4.75"	3.5 API I F F / 3.5 API I F F	3/8" / .250 - 13	60K - 100K



WARTHOG™ HD BACKREAMER



Part Number	Cut	Shaft	Description	NPT/Orifice/Nozzle Qty.	Model(s)
400-2537	8" / 203.2 mm	2.75"	2.0 API R F / 20K Tab	1/4" / .188 - 5	9K - 20K
400-2538	10" / 254 mm	2.75"	2.0 API R F / 20K Tab	1/4" / .188 - 8	9K - 20K
400-2539	12" / 304.8 mm	2.75"	2.0 API R F / 20K Tab	1/4" / .188 - 14	9K - 20K
400-2540	14" / 355.6 mm	2.75"	2.0 API R F / 20K Tab	1/4" / .188 - 14	9K - 20K
400-2541	16" / 406.4 mm	2.75"	2.0 API R F / 20K Tab	1/4" / .188 - 17	9K - 20K
400-2542	18" / 457.2 mm	2.75"	2.0 API R F / 20K Tab	1/4" / .188 - 20	9K - 20K
400-2349	8" / 203.2 mm	3.25"	2.38 API R F / 2.38 API R F	1/4" / .188 - 6	16K - 36K
400-2350	10" / 254 mm	3.25"	2.38 API R F / 2.38 API R F	1/4" / .188 - 9	16K - 36K
400-2351	12" / 304.8 mm	3.25"	2.38 API R F / 2.38 API R F	1/4" / .188 - 15	16K - 36K
400-2352	14" / 355.6 mm	3.25"	2.38 API R F / 2.38 API R F	1/4" / .188 - 15	16K - 36K
400-2353	16" / 406.4 mm	3.25"	2.38 API R F / 2.38 API R F	1/4" / .188 - 18	16K - 36K
400-2354	18" / 457.2 mm	3.25"	2.38 API R F / 2.38 API R F	1/4" / .188 - 21	16K - 36K
400-2355	20" / 508 mm	3.25"	2.38 API R F / 2.38 API R F	1/4" / .188 - 21	16K - 36K
400-2356	24" / 609.6 mm	3.25"	2.38 API R F / 2.38 API R F	1/4" / .188 - 21	16K - 36K
400-2423	8" / 203.2 mm	4.25"	2.88 API R F / 2.88 API R F	1/4" / .188 - 5	40K - 60K
400-2424	10" / 254 mm	4.25"	2.88 API R F / 2.88 API R F	1/4" / .188 - 8	40K - 60K
400-2425	12" / 304.8 mm	4.25"	2.88 API R F / 2.88 API R F	1/4" / .188 - 8	40K - 60K
400-2427	14" / 355.6 mm	4.25"	2.88 API R F / 2.88 API R F	1/4" / .188 - 14	40K - 60K
400-2426	16" / 406.4 mm	4.25"	2.88 API R F / 2.88 API R F	1/4" / .188 - 17	40K - 60K
400-2428	18" / 457.2 mm	4.25"	2.88 API R F / 2.88 API R F	1/4" / .188 - 20	40K - 60K
400-2429	20" / 508 mm	4.25"	2.88 API R F / 2.88 API R F	1/4" / .188 - 20	40K - 60K
400-2430	24" / 609.6 mm	4.25"	2.88 API R F / 2.88 API R F	1/4" / .188 - 20	40K - 60K
400-2431	28" / 711.2 mm	4.25"	2.88 API R F / 2.88 API R F	1/4" / .188 - 20	40K - 60K
400-2432	30" / 762 mm	4.25"	2.88 API R F / 2.88 API R F	1/4" / .188 - 20	40K - 60K
400-2447	12" / 304.8 mm	4.75"	3.5 API IF F / 3.5 API IF F	1/4" / .188 - 8	60K - 100K
400-2448	14" / 355.6 mm	4.75"	3.5 API IF F / 3.5 API IF F	1/4" / .188 - 8	60K - 100K
400-2449	16" / 406.4 mm	4.75"	3.5 API IF F / 3.5 API IF F	1/4" / .188 - 17	60K - 100K
400-2450	18" / 457.2 mm	4.75"	3.5 API IF F / 3.5 API IF F	1/4" / .188 - 17	60K - 100K
400-2451	20" / 508 mm	4.75"	3.5 API IF F / 3.5 API IF F	1/4" / .188 - 20	60K - 100K
400-2452	24" / 609.6 mm	4.75"	3.5 API IF F / 3.5 API IF F	1/4" / .188 - 20	60K - 100K
400-2453	28" / 711.2 mm	4.75"	3.5 API IF F / 3.5 API IF F	1/4" / .188 - 20	60K - 100K
400-2454	30" / 762 mm	4.75"	3.5 API IF F / 3.5 API IF F	1/4" / .188 - 20	60K - 100K
400-2455	34" / 863.6 mm	4.75"	3.5 API IF F / 3.5 API IF F	1/4" / .188 - 26	60K - 100K
400-2456	36" / 914.4 mm	4.75"	3.5 API IF F / 3.5 API IF F	1/4" / .188 - 26	60K - 100K





SOIL CONDITION CHART

KEY ● =Best ◐ =Better ○ =Good

SANDHOG HD BACKREAMER

SANDY SOIL **SOFT SOIL** **MEDIUM SOIL**

Part Number	Cut	Pack	Shaft	Description	Nozzle/Qty.	Model(s)
400-2964	6" / 152.4 mm	4	2.75"	2.0 IF / 20K Tab	1/4" / .188 - 8	9K - 20K
400-2965	8" / 203.2 mm	6	2.75"	2.0 IF / 20K Tab	1/4" / .188 - 8	9K - 20K
400-2966	10" / 254 mm	8	2.75"	2.0 IF / 20K Tab	1/4" / .188 - 8	9K - 20K
400-2967	12" / 304.8 mm	10	2.75"	2.0 IF / 20K Tab	1/4" / .188 - 14	9K - 20K
400-2968	6" / 152.4 mm	4	3.25"	2.38 API R / 20K Tab	1/4" / .188 - 8	16K - 36K
400-2969	8" / 203.2 mm	6	3.25"	2.38 API R / 20K Tab	1/4" / .188 - 8	16K - 36K
400-2970	10" / 254 mm	8	3.25"	2.38 API R / 20K Tab	1/4" / .188 - 8	16K - 36K
400-2971	12" / 304.8 mm	10	3.25"	2.38 API R / 20K Tab	1/4" / .188 - 14	16K - 36K

SWAB REAMER

HARD SOIL **COBBLE ROCK**

Part Number	Cut	Shaft	Description	NPT/Orifice/Nozzle/Qty.	Model(s)
400-2614	5.5" / 139.7 mm	3.25"	2.77 M / 20K Tab	1/4" NPT / .100/3	AT30
400-3154	5.5" / 139.7 mm	3.25"	2.36 M / 20K Tab	1/4" NPT / .100/3	AT32
400-3157	6.5" / 165.1 mm	3.25"	2.36 M / 20K Tab	1/4" NPT / .100/3	AT32
400-2799	5.5" / 139.7 mm	4.375"	2.95 M / 20K Tab	1/4" NPT / .100/3	AT40
400-3066	6.5" / 165.1 mm	4.375"	2.95 M / 20K Tab	1/4" NPT / .100/3	AT40
400-2716	6.5" / 165.1 mm	4.375"	3.25 M / 20K Tab	1/4" NPT / .100/3	AT4020, AT60
400-2719	6.5" / 165.1 mm	4.375"	3.44 M / 20K Tab	1/4" NPT / .100/3	AT100



BACKREAMERS

ROCK MONSTER™ HD BACKREAMER



Part Number	Cut	IADC	Shaft	Front Connection	Rear Connection	Nozzle Quantity
400-2993	10" / 254 mm	517	3.75"	2.875" API-REG	40K Tab	4
400-3036	12" / 304.8 mm	517	3.75"	2.875" API-REG	40K Tab	4
400-3037	14" / 355.6 mm	537	4.75"	3.5" API IF	3.5" API IF	4
400-3038	14" / 355.6 mm	517	4.75"	3.5" API IF	3.5" API IF	5
400-3039	16" / 406.4 mm	537	4.75"	3.5" API IF	3.5" API IF	5
400-2735	18" / 457 mm	537	4.75"	3.5" API IF	3.5" API IF	5
400-2736	20" / 508 mm	537	4.75"	3.5" API IF	3.5" API IF	6
400-2737	22" / 559 mm	537	4.75"	3.5" API IF	3.5" API IF	6
400-1647	24" / 610 mm	537	4.75"	3.5" API IF	3.5" API IF	6

ROCK MONSTER™ REAMER NOZZLES

Part Number	Cut	Orifice Size	Retention Type	Compatible Reamers
159-1022	Jet Nozzle	.375	Snap Ring	400-2993
159-1025	Jet Nozzle	.125	Snap Ring	400-2993
159-1026	Jet Nozzle	.25	Snap Ring	400-2993
159-1027	Jet Nozzle	.25	Snap Ring	400-3037, 400-3038, 400-3039, 400-2735, 400-2736, 400-2737, 400-2738
159-1028	Jet Nozzle	.375	Snap Ring	400-3037, 400-3038, 400-3039, 400-2735, 400-2736, 400-2737, 400-2738

Note: Sold in quantities of three.

EZ BACKREAMER



Part Number	Cut	Shaft	Description	NPT/Orifice/Nozzle Qty.	Model(s)
400-2579	6" / 152.4 mm	3.25"	2.00-6 F, EZ2 / 30K Tab	1/4" NPT / .100/3	JT20
400-2584	8" / 203.2 mm	3.25"	2.00-6 F, EZ2 / 30K Tab	1/4" NPT / .100/3	JT20
400-2699	6" / 152.4 mm	3.25"	2.25-6 F, EZ3 / 30K Tab	1/4" NPT / .100/3	JT25, JT30
400-2700	8" / 203 mm	3.25"	2.25-6 F, EZ3 / 30K Tab	1/4" NPT / .100/3	JT25, JT30
400-2732	6" / 152.4 mm	3.25"	1.63-6 F, EZ2 / 30K Tab	1/4" NPT / .100/3	JT10



ROCK MONSTER™ HOLE OPENER



Part Number	Cut	Series	Shaft	Description	Model(s)
190-1403	6" / 152.4 mm	TCI	2.75"	2.59 F / 30K Tab	27K - 30K Drills
190-1404	6" / 152.4 mm	MT200	2.75"	2.59 F / 30K Tab	27K - 30K Drills
190-1391	8" / 203.2 mm	TCI	4"	2.59 F / 40K Soc	27K - 40K Drills
190-1392	8" / 203.2 mm	MT200	4"	2.59 F / 40K Soc	27K - 40K Drills
190-1393	10" / 254 mm	TCI	4"	2.59 F / 40K Soc	27K - 40K Drills
190-1394	10" / 254 mm	MT200	4"	2.59 F / 40K Soc	27K - 40K Drills
190-1395	12" / 304.8 mm	TCI	4"	2.59 F / 40K Soc	27K - 40K Drills
190-1396	12" / 304.8 mm	MT200	4"	2.54 F / 40K	27K - 40K Drills
368-380	Body Only	N/A	4"	2.59 F / 40K	27K - 40K Drills
190-1397	10" / 254 mm	TCI	5.75"	3.5 API M / 30K Tab	60K - 100K Drills
190-1398	10" / 254 mm	MT200	5.75"	3.5 API M / 30K Tab	60K - 100K Drills
190-1399	12" / 304.8 mm	TCI	5.75"	3.5 API M / 30K Tab	60K - 100K Drills
190-1400	12" / 304.8 mm	MT200	5.75"	3.5 API M / 30K Tab	60K - 100K Drills
190-1401	14" / 355.6 mm	TCI	5.75"	3.5 API M / 30K Tab	60K - 100K Drills
190-1402	14" / 355.6 mm	MT200	5.75"	3.5 API M / 30K Tab	60K - 100K Drills
368-236	Body Only	N/A	5.75"	3.5 API M / 30K Tab	60K - 100K Drills
190-1405	16" / 406.4 mm	TCI 500	8"	3.27 F / 100K Tab	60K - 100K Drills
190-1406	16" / 406.4 mm	TCI 700	8"	3.27 F / 100K Tab	60K - 100K Drills
190-1407	18" / 457.2 mm	TCI 500	8"	3.27 F / 100K Tab	60K - 100K Drills
190-1408	18" / 457.2 mm	TCI 700	8"	3.27 F / 100K Tab	60K - 100K Drills
190-1409	20" / 508 mm	TCI 500	8"	3.27 F / 100K Tab	60K - 100K Drills
190-1410	20" / 508 mm	TCI 700	8"	3.27 F / 100K Tab	60K - 100K Drills
190-1411	22" / 558.8 mm	TCI 500	8"	3.27 F / 100K Tab	60K - 100K Drills
190-1412	22" / 558.8 mm	TCI 700	8"	3.27 F / 100K Tab	60K - 100K Drills
400-973	Body Only	N/A	8"	3.27 F / 100K Tab	60K - 100K Drills

Note: MT = Mill Tooth and TCI = Tungsten Carbide Inserts



REPLACEMENT CUTTER SETS

Part Number	Cone Height	Series	Shaft	Cut
369-301	1.8"	TCI 500	2.75"	6" / 125.4 mm
369-302	1.8"	MILL	2.75"	6" / 125.4 mm
400-809	1.8"	TCI 600	2.75"	6" / 125.4 mm
400-078	2.3"	TCI 500	4"/5.75"	8/10" / 203.2 / 254 mm
400-079	2.3"	MILL	4"/5.75"	8/10" / 203.2 / 254 mm
400-080	3.2"	TCI 500	4"/5.75"	10/12" / 254 / 304.8 mm
400-081	3.2"	MILL	4"/5.75"	10/12" / 254 / 304.8 mm
400-082	4.1"	TCI 500	4"/5.75"	12/14" / 304.8 / 355.6 mm
400-083	4.1"	MILL	4"/5.75"	12/14" / 304.8 / 355.6 mm
400-810	2.3"	TCI 600	4"/5.75"	8/10" / 203.2 / 254 mm
400-811	3.2"	TCI 600	4"/5.75"	10/12" / 254 / 304.8 mm
400-812	4.1"	TCI 600	4"/5.75"	12/14" / 304.8 / 355.6 mm
400-974		TCI 500	8"	16" / 406.4 mm
400-975		TCI 700	8"	16" / 406.4 mm
400-976		TCI 500	8"	18" / 457.2 mm
400-977		TCI 700	8"	18" / 457.2 mm
400-978		TCI 500	8"	20" / 508 mm
400-979		TCI 700	8"	20" / 508 mm
400-980		TCI 500	8"	22" / 558.8 mm
400-981		TCI 700	8"	22" / 558.8 mm

CENTERING CONE



Part Number	Size	All Terrain Model(s)	Description	Nozzle Quantity
400-3011	6"	AT30 / AT40	2.88 API R F/M	8
400-3012	8"	AT30 / AT40	2.88 API R F/M	8
400-2998	10"	AT30 / AT40	2.88 API R F/M	8
400-3013	12"	AT30 / AT40	2.88 API R F/M	8
400-3014	14"	AT30 / AT40	2.88 API R F/M	8
400-3015	16"	AT30 / AT40	2.88 API R F/M	8
400-3016	18"	AT30 / AT40	2.88 API R F/M	8
400-3023	10"	AT60 / AT100	3.5 API IF F/M	8
400-3024	12"	AT60 / AT100	3.5 API IF F/M	8
400-3025	14"	AT60 / AT100	3.5 API IF F/M	8
400-3026	16"	AT60 / AT100	3.5 API IF F/M	8
400-3027	18"	AT60 / AT100	3.5 API IF F/M	8

PULLERS, SWIVELS & TABS

BIT PULLING ACCESSORIES



Part Number	Description
369-709	Bit Clevis - JT5 bits only
400-242*	Bit Pull Eye Assembly
400-2668	Pull Tool (small)
906-1828	Shackle 3/8 screw pin anchor
400-2669	Pull Tool with shackle

*See Bit Page for Application.



PULLING GRIPS

WITH SWIVEL

Part Number	Size
185-901	1/4 - 1/2"
185-902	1/2 - 3/4"
185-903	3/4 - 1-1/4"
185-904	1-1/4 - 2"
185-906	2 - 2-3/4"
185-907	2-3/4 - 3-1/2"
185-913	3-1/2 - 4-1/4"
185-914	4-1/4 - 4-3/4"

WITHOUT SWIVEL

Part Number	Size
185-917	3/4 - 1-1/4"
185-918	1-1/4 - 2"
185-919	2 - 2-3/4"
185-920	2-3/4 - 3-1/2"
185-921	3-1/2 - 4-1/4"

HEAVY-DUTY PULLING GRIP

Part Number	Size
185-922	3/4 - 1-1/4"
185-923	1-1/4 - 2"
185-924	2 - 2-3/4"
185-925	2-3/4 - 3-1/2"
185-926	3-1/2 - 4-1/4"

ANCHOR SHACKLES

Part Number	Size	Bolt Size	Width	Load Limit
110-289	5/16"	3/8"	.53"	1K
110-509	1/2"	5/8"	.815"	4K
110-969	5/8"	3/4"	1.065"	6.5K
110-040	3/4"	7/8"	1.25"	9.5K
110-987	7/8"	1"	1.44"	13K
110-847	1"	1-1/8"	1.69"	17K
111-018	1-1/4"	1-3/8"	2.03"	24K
111-019	1-1/2"	1-5/8"	2.375"	34K
369-709	Bit Clevis	1/2"	N/A	
908-1828	3/8"	7/16"	.66"	2K



See bit pages for application: (pages 24-34)

SLEEVED PULLERS



Part Number	Size	Min - Max ID	SDR Range
902-2100	1"	1.050 - 1.200" ID	11 - 17
902-2200	1.25"	1.200 - 1.500" ID	9 - 17
902-2300	1.5"	1.530 - 1.620" ID	11 - 13.5
902-2400	2"	1.900 - 2.050" ID	11 - 13.5
902-2500	2.5"	2.310 - 2.700" ID	11 - 17
902-2600	3"	2.825 - 3.070" ID	11 - 17
902-2700	4"	3.620 - 4.090" ID	11 - 21
902-2800	5"	4.470 - 5.160" ID	11 - 26
902-2900	6"	5.320 - 6.040" ID	11 - 21

NON-SLEEVED PULLERS



Part Number	Size	Min - Max ID	SDR Range
902-0010	1"	1.050 - 1.200" ID	11 - 17
902-0101	1.25"	1.200 - 1.500" ID	9 - 17
902-0151	1.5"	1.530 - 1.620" ID	11 - 13.5
902-0201	2"	1.900 - 2.050" ID	11 - 13.5
902-0251	2.5"	2.310 - 2.700" ID	11 - 17
902-0301	3"	2.825 - 3.070" ID	11 - 17
902-0401	4"	3.620 - 4.090" ID	11 - 21
902-0501	5"	4.470 - 5.160" ID	11 - 26
902-0601	6"	5.320 - 6.040" ID	11 - 21
902-0801	8"	7.050 - 7.750" ID	11 - 21
902-1001	10"	8.670 - 9.875" ID	11 - 26
902-1201	12"	10.430 - 11.960" ID	11 - 23.5

SLEEVED PULLER REPLACEMENT PARTS

Replacement Part	1" (25mm) 902-2100	1.25" (32mm) 902-2200	1.5" (40mm) 902-2300	2" (50mm) 902-2400	2.5" (63mm) 902-2500	3" (75mm) 902-2600	4" (120mm) 902-2700	6" (160mm) 902-2800
Stem	902-2101	902-2201	902-2301	902-2401	902-2401	902-2610	902-2610	902-2901
O-Ring Kit	902-2103	902-2203	902-2303	902-2403	902-2503	902-2603	902-2703	902-2904
Sleeve Assembly	902-2102	902-2202	902-2302	902-2402	902-2502	902-2601	902-2701	902-2902
Jaw Set	902-2114	902-2212	902-2315	902-2414	902-2513	902-2602	902-2713	902-2915
Expander Cone	902-0009	902-0109	902-0158	902-0209	902-0209	902-0302	902-0302	902-0619
Nut	n/a	n/a	n/a	n/a	n/a	2921	2921	2921
Eyebolt	30304	30304	51290	51290	51290	30291	30291	30291

CARROT PULLER



Part Number	Size	Min - Max ID	SDR Range
901-0102	.5 - 1"	0.38 - 1.08" ID	9 - 11
901-0105	1"	0.90 - 1.21" ID	7.3 - 17
901-0122	1 - 1.25"	1 - 1.39" ID	9 - 13.5
901-0125	1.25"	1.27 - 1.51" ID	9 - 17
901-0152	1.25 - 1.5"	1.1 - 1.66" ID	7 - 17
901-0150	1.5"	1.52 - 1.67" ID	11 - 17
901-0202	2.0"	1.82 - 2.10" ID	9 - 17

SLIM LINE SWIVELS



Part Number	Capacity
400-1588	5K Swivel
400-3056	10K Swivel
400-2744	20K Swivel
400-3059	30K Swivel

THREADED SWIVELS



Part Number	Connection	Capacity
369-195	1.94-4F / 12K Tab	10K
400-111	1.94-4M / 12K Tab	10K
400-112	1.94-4M / 20K Tab	20K
400-236	1.94-4F / 20K Tab	20K
300-1160	1.94-4F / 30K Tab	20K
400-2558	2.38 API R M / 20K Clevis	40K
400-2559	2.38 API R M / 20K Tab	40K
400-2560	2.38 API R M / 30K Clevis	40K
400-2561	2.38 API R M / 30K Tab	40K
400-1390	3.44-4M SS / 30K Tab	40K
400-2562	2.88 API R M / 30K Clevis	60K
400-2563	2.88 API R M / 30K Tab	60K
400-2564	2.88 API R M / 40K Clevis	60K
400-2565	2.88 API R M / 40K Tab	60K
400-2566	3.5 API IF M / 40K Clevis	100K
400-2567	3.5 API IF M / 40K Tab	100K
400-2568	3.5 API IF M / 100K Clevis	100K
400-2569	3.5 API IF M / 100K Tab	100K



DOUBLE CLEVIS



Part Number	Connection	Capacity
185-935	5K Clevis / 5K Clevis	10K
401-283	20K Clevis / 20K Clevis	20K
300-1164	30K Clevis / 30K Clevis	30K
401-294	100K Clevis / 100K Clevis	40K

CLEVIS TO TAB



Part Number	Connection	Capacity
368-513	12K Clevis / 12K Tab	10K
368-634	20K Clevis / 20K Tab	20K
369-712	30K Clevis / 20K Tab	20K
300-1157	30K Clevis / 30K Tab	30K
400-748	40K Clevis / 40K Tab	60K
369-971	70K Clevis / 40K Tab	60K
369-972	100K Clevis / 70K Tab	100K

SOCKETS



Part Number	Connection	Capacity
300-1159	40K Socket F / 30K Tab	30K
400-221	40K Socket / 40K Tab	60K

PULL TAB & PULL CLEVIS

Part Number	Description	Model(s)
369-308	1.21 M / 5K Tab	JT520
369-309	1.31 F / 5K Tab	JT520
400-1432	1.33 F / 5K Tab	JT5
368-352	1.41 M / 12K Tab	JT920, JT920L, JT921, JT921S, JT922
400-921	1.88 F / 10K Tab	JT1220M1
401-007	1.88 F / 20K Tab	JT1220M1
369-864	1.94 M / 10K Tab	JT920L, JT1220M1
369-865	1.94 M / 20K Tab	JT920, JT920L, JT921, JT921S, JT922, JT1220M1, JT1720M1, JT2020M1
400-2554	2.38 API R M / 20K Tab	16K - 36K
400-2419	2.38 API R M / 30K Tab	16K - 36K
400-760	DS 2.77 M / 30K Tab	AT2720, AT30
400-803	SS 2.77 M / 30K Tab	AT2720, AT30 Cobble
400-2555	2.88 API R M / 30K Tab	40K - 70K
400-2518	2.88 API R M / 40K Tab	40K - 70K
401-246	3.25 M / 30K Tab	AT4020, AT60
400-818	3.25 M / 40K Tab	AT4020, AT60
400-820	3.25 F / 60K Clevis	AT60
369-123	3.27 M / 70K Tab	JT8020M1, JT100M1
369-122	3.27 F / 70K Tab	JT8020M1, JT100M1
400-2556	3.5 API IF M / 40K Tab	70K - 100K
400-2519	3.5 API IF M / 100K Tab	70K - 100K
400-583	40K Socket / 30K Tab	3.5" Shaft Reamers
400-704	40K Socket / 40K Tab	JT4020M1, AT4020
369-854	70K Clevis / 40K Tab	JT4020M1, JT60,V JT8020M1, JT100M1
400-781	2.77" 4 DS AT F / 30K	AT30
400-2557*	2.88 API R M / 40K Socket	40K, 60K
400-3121	2.95 M / 40K Tab	AT40

DS = Double Shoulder SS = Single Shoulder

*** Converts threaded HD reamers to 40K socket, connections and swivels.**



NOZZLES

BEACON HOUSING & BACKREAMER NOZZLES



Part Number	Thread Size	Orifice Size
105-2635	1/8 NPT	Plug
908-0766	1/8 NPT	.155"
159-1006	1/4 NPT	.1"
159-1007	1/4 NPT	.125"
159-1008	1/4 NPT	.188"
159-1009	1/4 NPT	.25"
908-0043	1/4 NPT	.203"
149-200	1/4 NPT	.07"
149-201	1/4 NPT	.1"
149-202	1/4 NPT	.15"
149-203	1/4 NPT	.2"
149-204	1/4 NPT	.25"
906-2673	1/4 NPT	.25"
105-2637	1/4 NPT	Plug
159-1010	3/8 NPT	.125"
159-1011	3/8 NPT	.188"
159-1012	3/8 NPT	.25"
114-002	3/8 NPT	Plug
906-1526	3/8 NPT	.312"

QUICK WRENCHES & JAWS

WRENCH SET



Part Number	Description	Size	Included
368-681	Wrench Handle Assembly	0 - 4,000 ft·lb	
368-533	Vice Handle Assembly	0 - 4,000 ft·lb	
368-761	2 Vice Kit	0 - 4,000 ft·lb	2 Vice
401-229	Wrench Set	0 - 4,000 ft·lb	2 Vice, 1 Flat
369-297	Wrench Set	0 - 4,000 ft·lb	1 Vice, 2 Flat
368-683	Quick Wrench Jaw	4.25"	
400-3242	Quick Wrench Jaw	4.25" Modular	
400-3195	1" SwitchBack Adapter AT32 SwitchBack Quick Wrench		
400-3197	SwitchBack Hydratong Adapter		
400-3196	2" Adapter block for Hydratong to fit Modular 400-3195 or 400-3242		

HYDRA-TONG

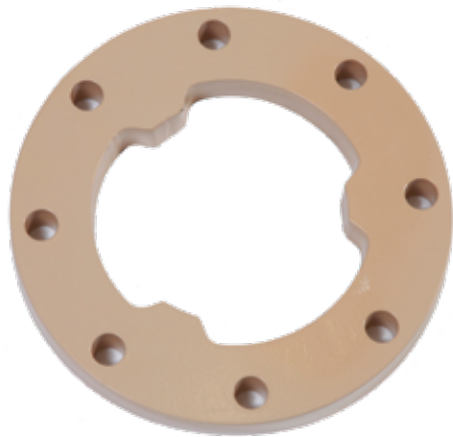
HYDRA-TONG



Part Number	Description	Size
400-2638	Hydra-Tong Assembly	Fits Outside Diameter 3.625" up to 5"
400-2703	Hydra-Tong Assembly (CE)	Fits Outside Diameter 3.625" up to 5"
400-161	Hydra-Tong Jaw Handle	
400-2637	Hydra-Tong Power Supply & Hose Kit	
400-2702	Hydra-Tong Power Supply & Hose Kit (CE)	
105-592	Chain Extension	
110-833	Snapper Pin (3/8" x 2-3/4")	
150-722	Hydraulic Wrench Cylinder	
178-503	Slide Pin	
400-161	Jaw Handle	
400-889	Chain Tong Assembly	
150-4648	Hydra-Tong Hose Assembly	
215-2605	28V Battery Charger (CE)	
215-2489	28V Battery Charger	
215-2507	28V Battery	
255-1050	Hydra-Tong Pump Oil	

Note: CE = 50hz / 240V for battery pack charger.

BIT BLOCK JAW



Part Number	Description	Size
369-795	Tri-Cone	4.75"
400-928	Tri-Cone (1")	5.5"
400-3053	5 Blade PDC	5.5"
400-2982	Tri-Cone (2")	5.5"
401-133	Tri-Cone	6.25"
401-148	Soft Formation	6.25"
400-705	Tri-Cone	6.5"
400-3126	5 Blade PDC	6.5"
400-1119	Soft Formation	6.65"

FLAT JAW



Part Number	Description	Size
368-693	Quick Wrench Jaw	1.24"
369-281	Quick Wrench Jaw	1.42"
369-282	Quick Wrench Jaw	1.56"
368-692	Quick Wrench Jaw	1.63"
368-690	Quick Wrench Jaw	2"
368-689	Quick Wrench Jaw	2.1"
368-688	Quick Wrench Jaw	2.25"
368-687	Quick Wrench Jaw	2.35"
368-686	Quick Wrench Jaw	2.4"
369-286	Quick Wrench Jaw	2.5"
400-004	Jaw (1" Thick)	3.25"
368-682	Quick Wrench Jaw	3.75"
369-101	Jaw (1.5" Thick)	3.75"
400-749	Jaw	4.5"
400-1483	Hydra-Tong	4"
400-2644	Hydra-Tong	4.25"

VACUUM ACCESSORIES

HYDRO EXCAVATION

Part Number	Model(s)	Description
150-2624	FX20, FX25, FX30, FXT30, MV800	Prospector™ Nozzle (#3)
150-2625	FX50, FXT50, FX65, FXT65	Prospector Nozzle (#5)
190-2506	FX50, FXT50, FX65, FXT65	Prospector Assembly Lance 48" (#5)
190-2507	FX20, FX25, FX30, FXT30, MV800	Prospector Assembly Lance 48" (#3)
259-1012	All	Prospector Extension 48"
259-1017	All	Wash Wand
150-2630	FX20, FX25, FX30, FXT30, MV800	Prospector Nozzle (#3) Repair Kit
150-2631	FX20, FXT50, FX65, FXT65	Prospector Nozzle (#5) Repair Kit

**Note: #3 - 2.7 gpm @ 3,000 psi
#5 - 4.5 gpm @ 3,000 psi**

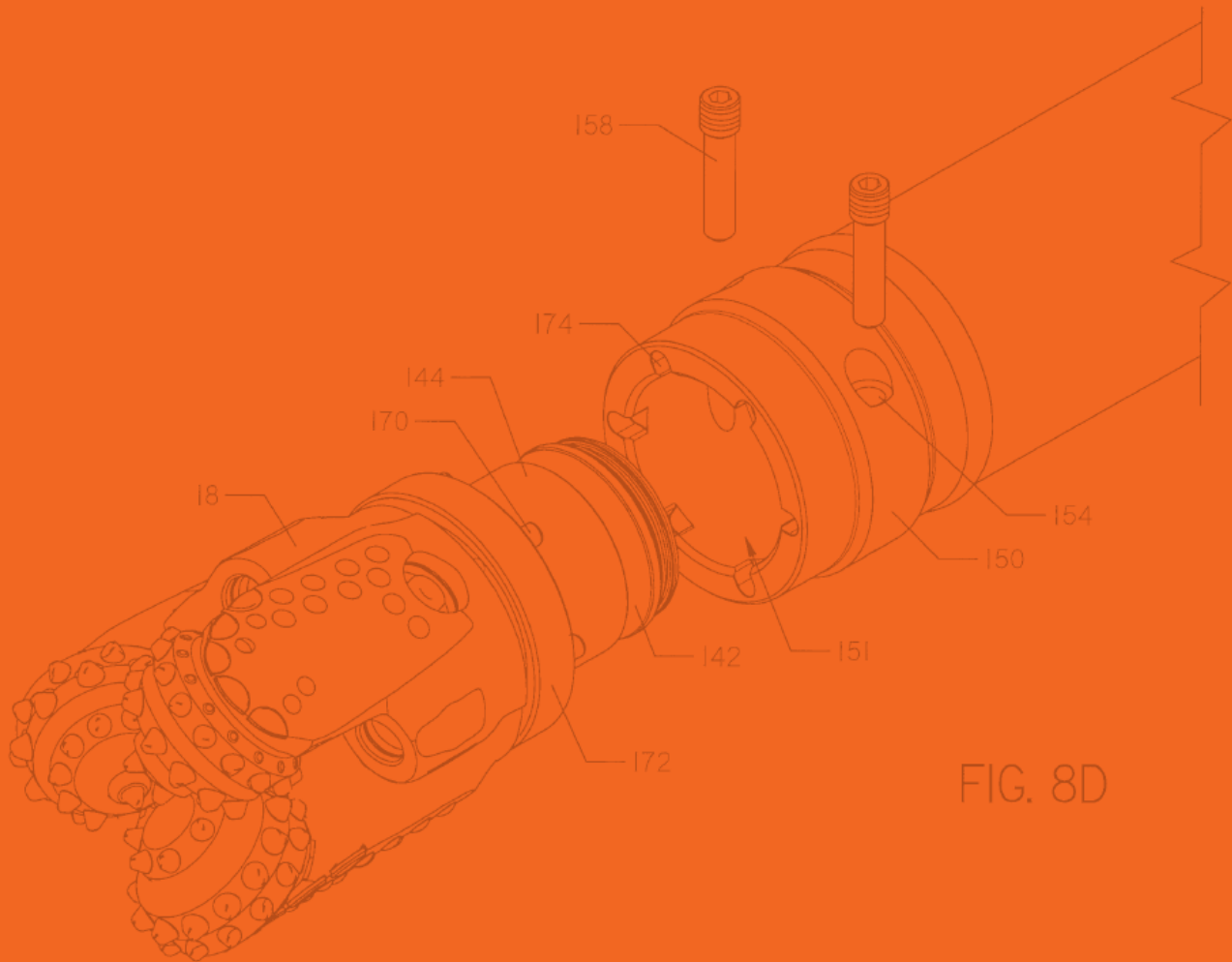




AIR EXCAVATION

Part Number	Model(s)	Description
350-4430	FXT30 Air, FXT50 Air, FXT65 Air	Air Saber Assembly
350-4431	FXT30 Air, FXT50 Air, FXT65 Air	Air Saber Extension 36"





The Charles Machine Works, Inc. Ditch Witch® Worldwide Headquarters Perry, OK 73077-0066 U.S.A.

Toll free 800 654 6481 Phone 580 336 4402 Fax 580 336 3458 International Fax 580 572 3561

For information about easy financing and to find the dealer nearest you, visit ditchwitch.com.

Shark Tooth® is a federally registered trademark of Consolidated Carbide, LTD.

Shark® is a federally registered trademark of Consolidated Carbide, LTD.

Shark Chain® is a federally registered trademark of Consolidated Carbide, LTD.

33K/35K | 50K | 70K/110K | 150k/225K | Plow Blades | Earth Saw

Roto Witch® | Microtrenching | Vacuum Excavation Accessories

